



The 19" ProLite B1980D designed for business, is an impressive LED-backlit monitor with height adjustable stand.

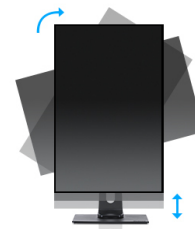
Designed for business, this LED-backlit monitor with 150mm height adjustability and screen rotation allows you to set the perfect position of the screen ensuring ergonomic posture and optimal viewing comfort. The 5ms response time and high contrast make the B1980D ideal for a wide range of business applications. sRGB and gamma correction functions permit even the finest nuances of colour to be set accurately.

Available also in white : [ProLite B1980D-W5](#)



LED-backlit

A typical CCFL LCD uses four backlight lamps. Using LED diodes considerably lowers the power consumption and reduces the CO₂ emission into the environment making this LCD a true ECO-Friendly product.



HAS (150mm) + PIVOT

With a height adjustable stand you will create an ergonomic work posture and position that meets all health and safety requirements. This will not only prevent any health issues but will also increase your productivity. The pivot function allows the screen to rotate from landscape to portrait orientation. This functionality can be useful if the application requires more height than width.

01 DISPLAY CHARACTERISTICS

Diagonal	19", 48cm
Panel	TN
Native resolution	1280 x 1024 @60Hz (1.3 megapixel)
Aspect ratio	5:4
Panel brightness	250 cd/m ²
Static contrast	1000:1
Advanced contrast	12M:1
Response time (GTG)	5ms
Viewing zone	horizontal/vertical: 170°/160°, right/left: 85°/85°, up/down: 80°/80°
Colour support	16.7mIn (sRGB: 99%; NTSC: 72%)
Horizontal Sync	24 - 80kHz
Viewable area W x H	376.32 x 301.05mm, 14.8 x 11.9"
Pixel pitch	0.294mm
Colour	matte, black

02 INTERFACES / CONNECTORS / CONTROLS

Signal input	VGA x1 DVI x1
HDCP	yes

03 FEATURES

OSD languages	EN, DE, FR, ES, IT, PT, CN, RU, JP
Control buttons	Power, Menu, + / Volume, - / Eco, Auto Adjust / Signal Select
User controls	luminance (contrast, brightness, Eco, i-Style colour, ACR), image setup (clock, phase, H. position, V. position), colour temperature (gamma, colour temperature), OSD setup (H. position, V. position, timeout, language), extra (reset, signal select, information), auto adjust
Convenience	Kensington-lock™ prepared, DDC2B, Mac OSX

04 MECHANICAL

Display position adjustments	height, pivot (rotation), swivel, tilt
Height adjustment	150mm
Rotation (PIVOT function)	90°
Swivel stand	90°; 45° left; 45° right
Tilt angle	23° up; 5° down
VESA mounting	100 x 100mm
Cable management system	yes

05 ACCESSORIES INCLUDED

Cables	power, DVI
Other	quick start guide, safety guide

06 POWER MANAGEMENT

Power supply unit	internal
-------------------	----------

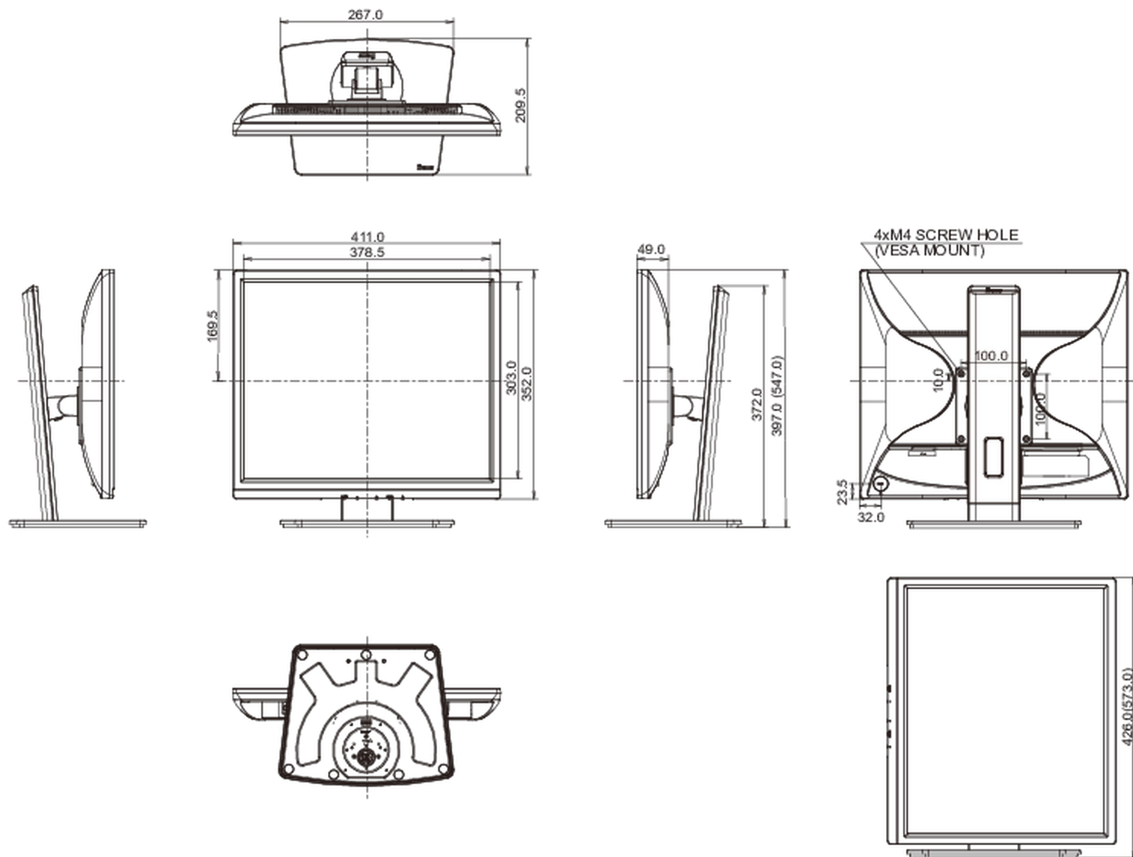
Power supply	AC 100 - 240V, 50/60Hz
Power usage	16W typical, 0.5W stand by, 0.3W off mode

07 SUSTAINABILITY

Regulations	CE, TÜV-GS, RoHS support, ErP, WEEE, REACH, UKCA
Energy efficiency class (Regulation (EU) 2017/1369)	E
REACH SVHC	above 0.1%: Lead

08 DIMENSIONS / WEIGHT

Product dimensions W x H x D	411 x 397 (547) x 209.5mm
Box dimensions W x H x D	490 x 416 x 162mm
Weight (without box)	4.9kg
Weight (with box)	6.0kg
EAN code	4948570121366



All trademarks and registered trademarks acknowledged. E & O E. Specification subject to change without notice. All LCD's comply with ISO-9241-307:2008 in connection with pixel defects.

© IIYAMA CORPORATION. ALL RIGHTS RESERVED