



### 23.8" Full HD In-cell PCAP 10pt interactive Touch Panel PC with Android OS, IPS panel technology and anti glare coating

The ProLite TW2424AS-B1 interactive Touchpanel-PC is a perfect choice for high-use environments. The IPS panel, integrated in a slim and elegant bezel, delivers both excellent colour performance with wide viewing angles and noticeably sharper images. The In-cell 10tp PCAP touch technology ensures a fluid and natural touch experience. This monitor can operate in landscape, portrait and face-up orientation in 24/7 operating time. Thanks to the pre-installed Android 12 operating system, it is possible to easily customize the monitor by installing applications directly to it. In combination with the 32GB storage, Wi-Fi connection, LAN (RJ45) and Bluetooth connectors, it makes the monitor especially suited for POS systems or information points in retail shops to educate customers about your products, as well as virtually limitless smart home applications.

Available also in white : [ProLite TW2424AS-W1](#)



Android OS

Thanks to Android OS, you can easily customize the display to your needs by installing applications directly to it.



Touch technology - Capacitive

This technology uses a sensor-grid of micro-fine wires integrated into the glass that covers the screen. Touch is detected because electrical characteristics of the sensor grid change when human finger is placed on the glass. Thanks to the glass overlay this technology is highly durable, and the touch function remains unaffected even if the glass is scratched. It offers perfect picture performance and will work with human finger (also latex gloved) and stylus-pen.

## 01 DISPLAY CHARACTERISTICS

|                         |   |
|-------------------------|---|
| Design                  | Thin bezel  |
| Diagonal                | 23.8", 60.5cm   |
| Panel                   | IPS   |
| Native resolution       | 1920 x 1080 (2 megapixel HD)  |
| Aspect ratio            | 16:9  |
| Brightness              | 250 cd/m <sup>2</sup> with touch                                      |
| Static contrast         | 1000:1 with touch   |
| Response time (GTG)     | 14ms  |
| Viewing zone            | horizontal/vertical: 178°/178°, right/left: 89°/89°, up/down: 89°/89° |
| Colour support          | 16.7mln   |
| Horizontal Sync         | 31 - 83.kHz   |
| Viewable area W x H     | 527 x 296.5mm, 20.7 x 10.6"   |
| Pixel pitch             | 0.275mm   |
| Bezel colour and finish | black, matte  |

## 02 TOUCH

|                  |  |
|------------------|--|
| Touch technology | projective capacitive                    |
| Touch points     | 10 (HID, only with supported OS)         |
| Touch method     | finger, glove (latex), capacitive stylus |
| Touch interface  | USB                                      |

## 03 INTERFACES / CONNECTORS / CONTROLS

|                       |   |
|-----------------------|---|
| Digital signal input  | HDMI x1 (1920x1080 @60Hz)                                       |
| Audio input           | Mini jack x1  |
| Digital signal output | USB-C x1 (DC5V, 900mA)  |
| Audio output          | Mini jack x1<br>Speakers 2 x 5W                                 |
| HDCP                  | yes   |
| RJ45 (LAN)            | x1  |
| USB HUB               | x3 (2x 2.0 (DC5V, 500mA), 1x v. 3.2 (Gen 1, 5Gbit; DC5V, 900mA) |

## 04 FEATURES

|                              |  |
|------------------------------|--|
| Integrated software          | Android 12 with GMS  |
| CPU                          | Rockchip RK3399 (1.8GHz, 32Gb storage)                       |
| GPU                          | Dual-core A72 + Quad-core A53                                |
| Storage                      | 32Gb eMMC  |
| Memory                       | 4Gb LPDDR4   |
| WiFi                         | IEEE802.11a/b/g/n/ac   |
| Bluetooth                    | 5.2  |
| Extra                        | auto-rotation, 2x5W speakers, microphone, anti-glare coating |
| Max. non-stop operating time | 24/7   |
| Anti image retention         | yes  |
| Glass hardness               | 3H   |

|              |     |
|--------------|-----|
| OSD key lock | yes |
|--------------|-----|

## 05 GENERAL

|                 |   |
|-----------------|---|
| Control buttons | Volume +, volume -, power switch  |
| Applications    | Lock applications, manage restart time, manage power on/off, calculator, calendar, Chrome, alarm/ clock, Timer, Stopwatch, Manage files, organize albums, Gmail, play audio files, Play Store, search engine, system preferences, sound recorder, play videos |
| Flicker free    | yes   |

## 06 MECHANICAL

|               |                                   |
|---------------|-----------------------------------|
| Orientation   | landscape, portrait, face-up      |
| VESA mounting | 100 x 100mm                       |
| MTBF          | 50000 hours (excluding backlight) |

## 07 ACCESSORIES INCLUDED

|             |                                 |
|-------------|---------------------------------|
| Cables      | power                           |
| Guides      | quick start guide, safety guide |
| Other       | AC adapter                      |
| Cable cover | yes                             |

## 08 POWER MANAGEMENT

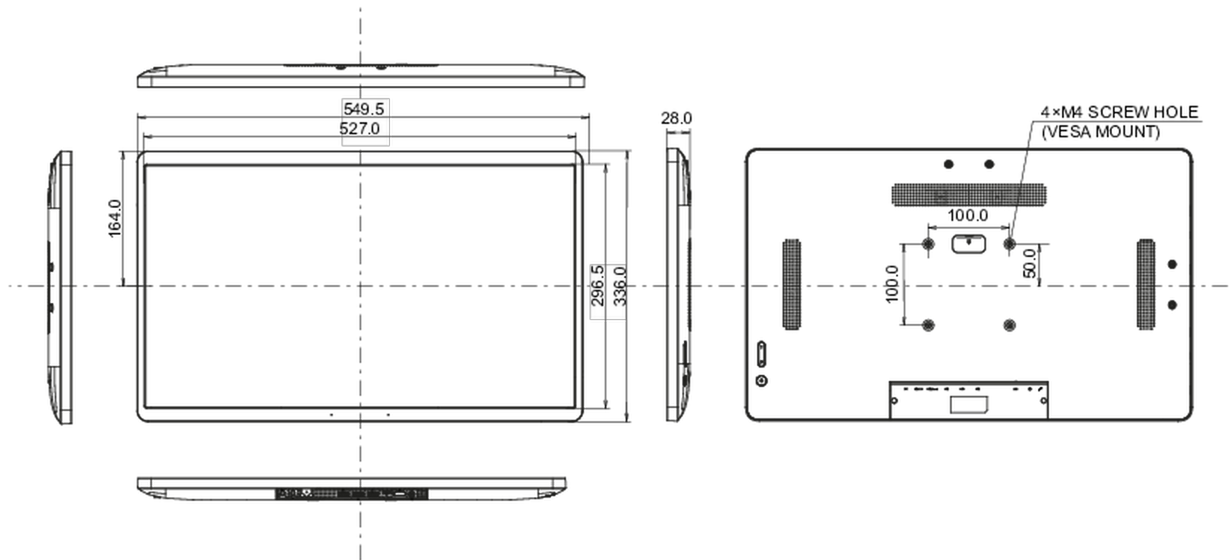
|                   |   |
|-------------------|---|
| Power supply unit | external                                  |
| Power supply      | DC 12 V                                   |
| Power usage       | 19W typical, 0.5W stand by, 0.3W off mode |

## 09 SUSTAINABILITY

|             |   |
|-------------|---|
| Regulations | CE, EAC, RoHS support, ErP, WEEE, REACH, UKCA |
| REACH SVHC  | above 0.1%: Lead                              |

## 10 DIMENSIONS / WEIGHT

|                              |                    |
|------------------------------|--------------------|
| Product dimensions W x H x D | 549.5 x 336 x 28mm |
| Box dimensions W x H x D     | 580 x 375 x 126mm  |
| Weight (without box)         | 4.23kg             |
| Weight (with box)            | 6.15kg             |
| EAN code                     | 4948570122943      |



All trademarks and registered trademarks acknowledged. E & O E. Specification subject to change without notice. All LCD's comply with ISO-9241-307:2008 in connection with pixel defects.

© IIYAMA CORPORATION. ALL RIGHTS RESERVED