

Universal wall mount, up to VESA 200x200mm, max. 50kg

With the easy and quick fixation system, this wall mount guarantees safe usage in environments like schools and other public utility buildings.

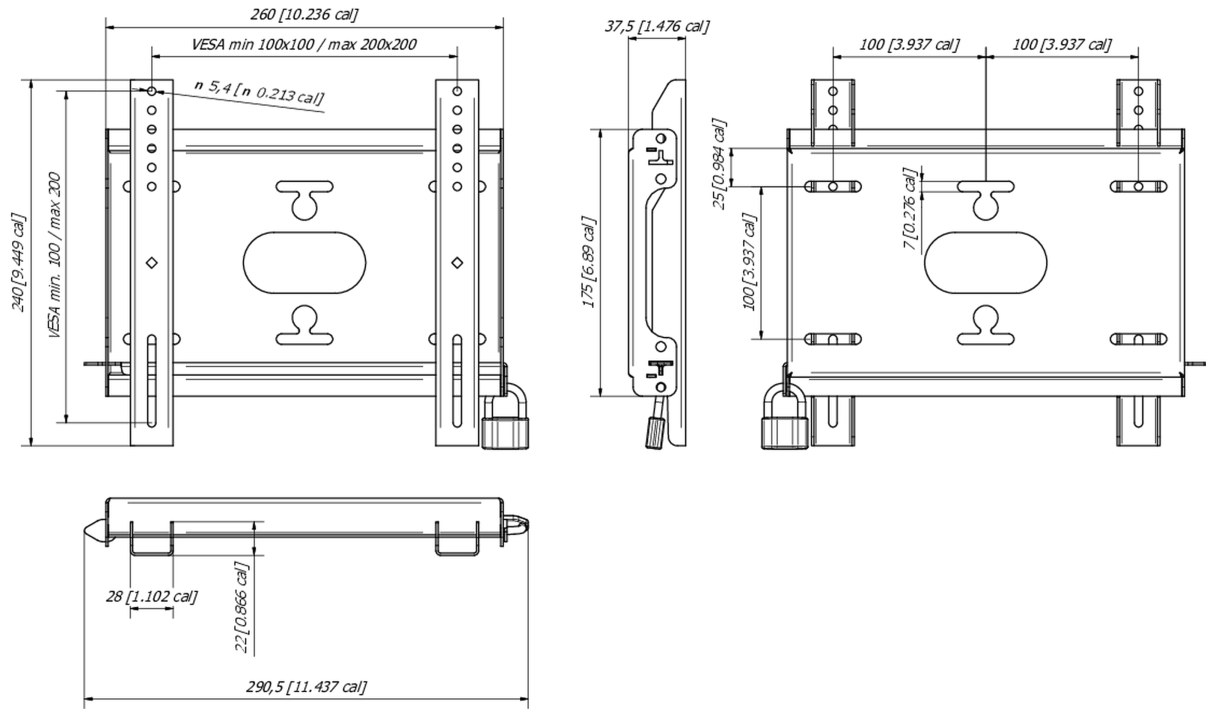
01 DEVICE

Type Wall Mount

02 TECHNICAL SPECIFICATION

| | |
|---------------------|----------------|
| Max weight capacity | 50kg / monitor |
| VESA minimum | 100 x 100mm |
| VESA maximum | 200 x 200mm |

MD-WM2020



03 DIMENSIONS / WEIGHT

Product dimensions W x H x D 240 x 37,5 x %3mm

Weight (without box) 1.1kg

EAN code 4948570033300

MD-WM2020



All trademarks and registered trademarks acknowledged. E & O E. Specification subject to change without notice. All LCD's comply with ISO-9241-307:2008 in connection with pixel defects.

© IIYAMA CORPORATION. ALL RIGHTS RESERVED