



Protected LCD for public environment

This high quality 21,5" LCD monitor has a toughened safety glass fitted behind the bezel. It offers 8H hardness rating, capable of resisting above normal pressure and impacts to the display. The high end LCD panel with LED backlights not only reduces the power consumption it also offers a bright image with high contrast. The ProLite P2252HS meets the increasing demands for Protected Economical LCD's within Education, Retail and Industrial applications and can also be used for CCTV through HDMI input.



Protective glass

The toughened safety glass fitted behind the bezel at 8H hardness rating is capable of resisting above normal impacts to the display making this LCD the ideal choice for Education, Retail and Industrial applications.



Key lock

You can easily lock and unlock the controls preventing unauthorised changes to settings you made.

01 DISPLAY CHARACTERISTICS

Diagonal	21.5", 54.7cm
Panel	TN LED, matte finish
Native resolution	1920 x 1080 (2.1 megapixel Full HD)
Aspect ratio	16:9
Panel brightness	225 cd/m ²
Static contrast	1000:1
Advanced contrast	12M:1
Glass thickness	2mm
Glass transmission rate	90% up typical
Glass hardness	8H
Response time (GTG)	5ms
Viewing zone	horizontal/vertical: 170°/160°, right/left: 85°/85°, up/down: 80°/80°
Colour support	16.7mln (sRGB: 99%; NTSC: 72%)
Horizontal Sync	24 - 80kHz
Viewable area W x H	476.64 x 268.11mm, 18.8 x 10.6"
Pixel pitch	0.248mm
Colour	matte

02 INTERFACES / CONNECTORS / CONTROLS

Signal input	VGA x1 DVI x1 HDMI x1
HDCP	yes
Headphone connector	yes

03 FEATURES

OSD languages	EN, DE, FR, CN, RU, JP, NL, PL
Control buttons	Power, Select/ Input Select, Scroll up/ Audio, Scroll down/ i-style Colour, Menu
User controls	auto adjust, luminance (contrast, brightness, ECO, ACR), input select, audio adjust (volume, mute, HDMI audio), colour adjust, information, image steep (clock, H. position, V. position, phase, sharpness, video mode adjust), setup menu (language, OSD position, OSD time out, OSD background, opening logo, LED), recall
Speakers	2 x 1W

04 MECHANICAL

Tilt angle	20° up; 0° down
VESA mounting	100 x 100mm

05 ACCESSORIES INCLUDED

Cables	power, VGA, DVI, Audio
Other	quick start guide, safety guide

06 POWER MANAGEMENT

Power supply unit	internal
-------------------	----------

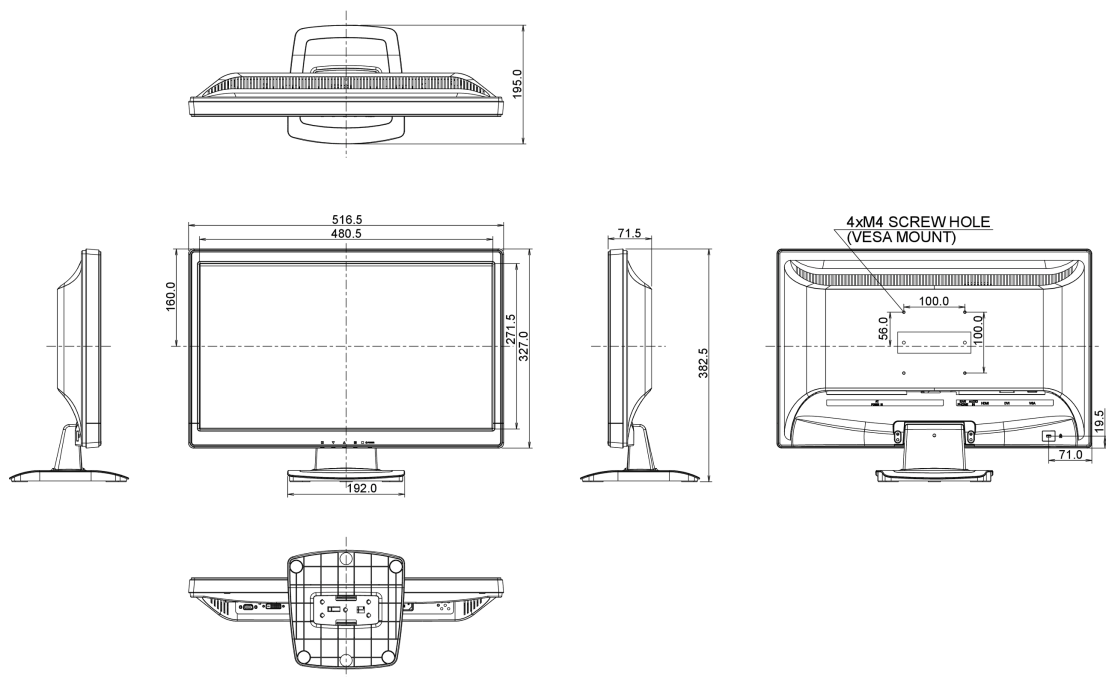
Power supply	AC 100 - 240V, 50/60Hz
Power usage	20.1W typical, 0.32W stand by, 0.31W off mode

07 SUSTAINABILITY

Regulations	CE, TÜV-Bauart, VCCI-B, PSE, RoHS support, ErP, WEEE, REACH
EPEAT Silver	EPEAT is a comprehensive environmental rating that helps identify greener computers and other electronic equipment. The Silver certification means the monitor meets all required criteria plus at least 50% of the optional requirements. EPEAT Silver is valid in countries where iiyama registers the product. Please visit www.epeat.net for the registration status in your country.
REACH SVHC	above 0.1%: Lead

08 DIMENSIONS / WEIGHT

Product dimensions W x H x D	516.5 x 382,5 x 195mm
Weight (without box)	4.5kg
EAN code	4948570112647



All trademarks and registered trademarks acknowledged. E & O E. Specification subject to change without notice. All LCD's comply with ISO-9241-307:2008 in connection with pixel defects.

© IIYAMA CORPORATION. ALL RIGHTS RESERVED