



23" monitor with IPS panel and ultra flat front

ProLite XU2390HS is a 23" LED backlit LCD Screen featuring IPS Panel technology which is considered to be the best all round panel type. It offers accurate and consistent colour reproduction with wide viewing angles (178°/178°) and fast response time. XU2390HS is full HD, has a >5mIn:1 Advanced Contrast Ratio and 250 cd/m² brightness offering the user a clear and vivid image. The ProLite XU2390HS will provide excellent performance for photographic design, web design, standard office use and in multi-monitor environment. Very suitable for multi-monitor Digital Signage and office applications.



IPS

IPS displays are best known for wide viewing angles and natural, highly accurate colours. They are especially suited for colour-critical applications.



Speakers

This LED monitor is equipped with two high quality stereo speakers.

01 DISPLAY CHARACTERISTICS

Design	ultra slim
Diagonal	23", 58.4cm
Panel	AH-IPS LED, matte finish
Native resolution	1920 x 1080 (2.1 megapixel Full HD)
Aspect ratio	16:9
Panel brightness	250 cd/m ²
Static contrast	1000:1
Advanced contrast	5M:1
Response time (GTG)	4ms
Viewing zone	horizontal/vertical: 178°/178°, right/left: 89°/89°, up/down: 89°/89°
Colour support	16.7mIn (sRGB: 99%; NTSC: 72%)
Horizontal Sync	24 - 80kHz
Viewable area W x H	509.2 x 286.4mm, 20 x 11.3"
Pixel pitch	0.265mm
Colour	matte

02 INTERFACES / CONNECTORS / CONTROLS

Signal input	VGA x1 DVI x1 HDMI x1
HDCP	yes

03 FEATURES

Blue light reducer	yes
OSD languages	EN, DE, FR, ES, IT, PT, CN, RU, JP
Control buttons	Power, Menu, +/- Volume, -/ ECO, Auto
User controls	luminance (contrast, brightness, i-style Colour, ACR, ECO), image steep (clock, phase, H. position, V. position, aspect), colour (gamma, colour temp.), OSD setup (H. position, V. position, OSD time out, language), extra (reset, DDC/CI, input select, OD, HDMI audio, opening logo, information), volume, auto adjust
Speakers	2 x 2W
Convenience	Kensington-lock™ prepared, DDC/CI, DDC2B, Mac OSX

04 MECHANICAL

Display position adjustments	tilt
Tilt angle	20° up; 4° down
VESA mounting	100 x 100mm

05 ACCESSORIES INCLUDED

Cables	power, DVI, Audio
Other	quick start guide, safety guide

06 POWER MANAGEMENT

Power supply unit	internal
-------------------	----------

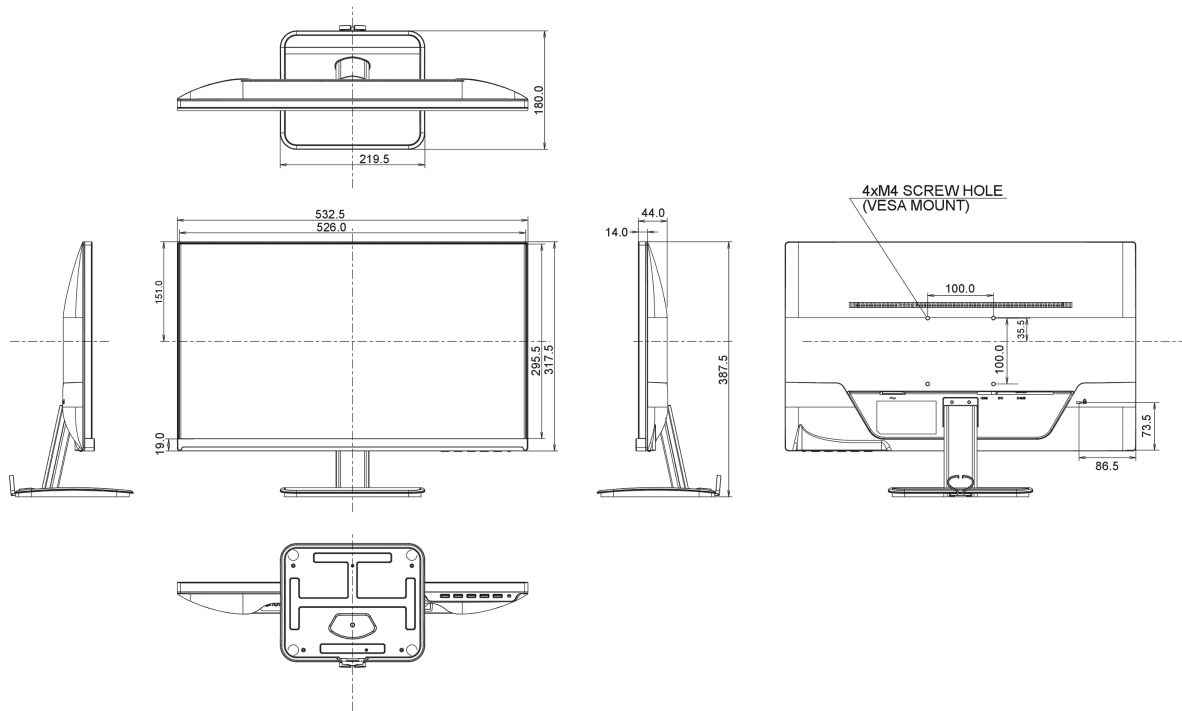
Power supply	AC 100 - 240V, 50/60Hz
Power usage	22.1W typical, 0.43W stand by, 0.527W off mode

07 SUSTAINABILITY

Regulations	CE, TÜV-Bauart, EAC, VCCI-B, RoHS support, ErP, WEEE, REACH
Energy efficiency class (Regulation (EU) 2017/1369)	E
REACH SVHC	above 0.1%: Lead

08 DIMENSIONS / WEIGHT

Product dimensions W x H x D	532.5 x 387.5 x 180mm
Weight (without box)	4kg
EAN code	4948570112982



All trademarks and registered trademarks acknowledged. E & O E. Specification subject to change without notice. All LCD's comply with ISO-9241-307:2008 in connection with pixel defects.

© IYAMA CORPORATION. ALL RIGHTS RESERVED