



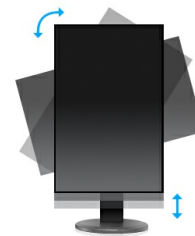
27" IPS monitor with ultra flat front and height adjustable stand

ProLite XUB2790HS is a 27" LED monitor with latest IPS Panel technology considered to be the best all round panel type. It offers accurate and consistent colour reproduction with wide viewing angles and a fast response time. A truly ergonomic stand including pivot function makes the XUB2790HS an excellent choice for photographic design, web design, standard office use. It's the perfect choice for multi-monitor applications.



IPS

IPS displays are best known for wide viewing angles and natural, highly accurate colours. They are especially suited for colour-critical applications.



HAS + Pivot

With a height adjustable stand you will create an ergonomic work posture and position that meets all health and safety requirements. This will not only prevent any health issues but will also increase your productivity. The pivot function allows the screen to rotate from landscape to portrait orientation. This functionality can be useful if the application requires more height than width.

01 DISPLAY CHARACTERISTICS

| | |
|---------------------|---|
| Design | ultra slim |
| Diagonal | 27", 68.6cm |
| Panel | AH-IPS LED, matte finish |
| Native resolution | 1920 x 1080 (2.1 megapixel Full HD) |
| Aspect ratio | 16:9 |
| Panel brightness | 250 cd/m ² |
| Static contrast | 1000:1 |
| Advanced contrast | 5M:1 |
| Response time (GTG) | 4ms |
| Viewing zone | horizontal/vertical: 178°/178°, right/left: 89°/89°, up/down: 89°/89° |
| Colour support | 16.7mIn (sRGB: 99%; NTSC: 72%) |
| Horizontal Sync | 24 - 80kHz |
| Viewable area W x H | 597.9 x 336.3mm, 23.5 x 13.2" |
| Pixel pitch | 0.311mm |
| Colour | matte |

02 INTERFACES / CONNECTORS / CONTROLS

| | |
|---------------------|-----------------------------|
| Signal input | VGA x1 DVI x1 HDMI x1 |
| HDCP | yes |
| Headphone connector | yes |

03 FEATURES

| | |
|--------------------|---|
| Blue light reducer | yes |
| OSD languages | EN, DE, FR, ES, IT, PT, CN, RU, JP |
| Control buttons | Power, Menu, +/- Volume, -/ ECO, Auto |
| User controls | luminance (contrast, brightness, i-style Colour, ACR, ECO), image steep (clock, phase, H. position, V. position, aspect), colour (gamma, colour temp.), OSD setup (H. position, V. position, OSD time out, language), extra (reset, DDC/CI, input select, OD, HDMI audio, opening logo, information), volume, auto adjust |
| Speakers | 2 x 2W |
| Convenience | Kensington-lock™ prepared, DDC/CI, DDC2B, Mac OSX |

04 MECHANICAL

| | |
|------------------------------|--|
| Display position adjustments | height, pivot (rotation), swivel, tilt |
| Height adjustment | 130mm |
| Rotation (PIVOT function) | 90° |
| Swivel stand | 90°; 45° left; 45° right |
| Tilt angle | 20° up; 4° down |
| VESA mounting | 100 x 100mm |

05 ACCESSORIES INCLUDED

| | |
|--------|---------------------------------|
| Cables | power, DVI, Audio |
| Other | quick start guide, safety guide |

06 POWER MANAGEMENT

| | |
|-------------------|---|
| Power supply unit | internal |
| Power supply | AC 100 - 240V, 50/60Hz |
| Power usage | 27W typical, 0.5W stand by, 0.5W off mode |

07 SUSTAINABILITY

| | |
|-------------|--|
| Regulations | CE, TÜV-Bauart, VCCI-B, RoHS support, ErP, ENERGY STAR®, WEEE, CU, REACH |
|-------------|--|

| | |
|--------------|--|
| EPEAT Silver | EPEAT is a comprehensive environmental rating that helps identify greener computers and other electronic equipment. The Silver certification means the monitor meets all required criteria plus at least 50% of the optional requirements. EPEAT Silver is valid in countries where iiyama registers the product. Please visit www.epeat.net for the registration status in your country. |
|--------------|--|

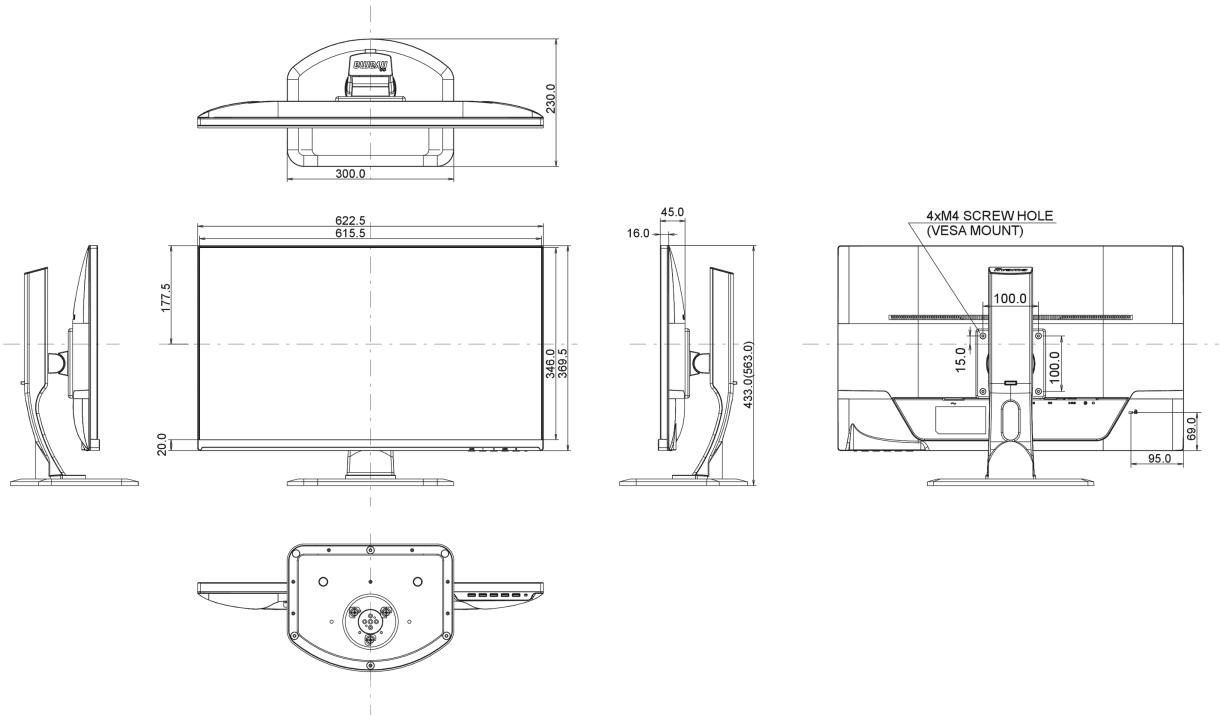
| | |
|------------|------------------|
| REACH SVHC | above 0.1%: Lead |
|------------|------------------|

08 DIMENSIONS / WEIGHT

| | |
|------------------------------|---------------------------|
| Product dimensions W x H x D | 622.5 x 433 (563) x 230mm |
|------------------------------|---------------------------|

| | |
|----------------------|-------|
| Weight (without box) | 6.5kg |
|----------------------|-------|

| | |
|----------|---------------|
| EAN code | 4948570113064 |
|----------|---------------|



All trademarks and registered trademarks acknowledged. E & O E. Specification subject to change without notice. All LCD's comply with ISO-9241-307:2008 in connection with pixel defects.