



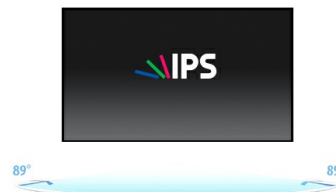
**30" AH-IPS LED-backlit screen capable of displaying 109% AdobeRGB, 146% sRGB and 104% NTSC colours**

The high colour gamut iiyama XB3070WQS is the perfect choice for graphic and web-design. It features WQS (2560 x 1600) resolution offering huge workspace allowing users to display and manipulate multiple applications at the same time. The AH-IPS matrix guarantees high performance with accurate and consistent colour reproduction, wide viewing angles and a fast response time. Optimal viewing comfort is guaranteed by the height adjustable stand.



WQS

16: 10; 2560 x 1600 ( 4.1 megapixel)



AH-IPS

The AH-IPS panel technology guarantees consistent colour reproduction with wide viewing angles and high contrast and therefore it is especially recommended for graphics design and other applications which require colours to be displayed accurately. The response time of the panel allows for smooth playback while watching films and playing games, making the IPS the best all-round technology suitable for both business and home use.

## 01 DISPLAY CHARACTERISTICS

Diagonal	30", 75.6cm
Panel	AH-IPS LED, matte finish
Native resolution	2560 x 1600 (4.1 megapixel WQS)
Aspect ratio	16:10
Panel brightness	350 cd/m <sup>2</sup>
Static contrast	1 000:1
Advanced contrast	5M:1
Response time (GTG)	5ms
Viewing zone	horizontal/vertical: 178°/178°, right/left: 89°/89°, up/down: 89°/89°
Colour support	16.7mIn (AdobeRGB: 109%, sRGB: 146%, 104% (NTSC))
Horizontal Sync	24 - 80kHz
Viewable area W x H	641.3 x 400.8mm, 25.2 x 15.8"
Pixel pitch	0.251mm
Colour	matte

## 02 INTERFACES / CONNECTORS / CONTROLS

Signal input	VGA x1 DVI x1 HDMI x1 DisplayPort x1
HDCP	yes
Headphone connector	yes

## 03 FEATURES

Blue light reducer	yes
Flicker free	yes
OSD languages	EN, DE, FR, CN, RU, JP, NL, PL
Control buttons	Power, Volume +, Volume -, Input/ Select/ Blue Light Reducer, Scroll up/ Colour Adjust, Scroll down/ i-Style Colour, Menu
User controls	picture (brightness, contrast, ACR, ECO mode, OD), input select, audio (volume, mute, audio input), colour adjust, information, manual image adjust (H./V. position, clock, phase, sharpness, video mode adjust, blue light reducer), setup menu (OSD setup menu, language, opening logo, LED, auto image adjust, memory recall)
Speakers	2 x 3W
Convenience	Kensington-lock™ prepared, DDC2B, Mac OSX

## 04 MECHANICAL

Display position adjustments	height, swivel, tilt
Height adjustment	107mm
Swivel stand	90°; 45° left; 45° right
Tilt angle	17° up; 0° down
VESA mounting	100 x 100mm

## 05 ACCESSORIES INCLUDED

Cables	power, DVI, Audio, mDP - DP, DP
Other	quick start guide, safety guide

## 06 POWER MANAGEMENT

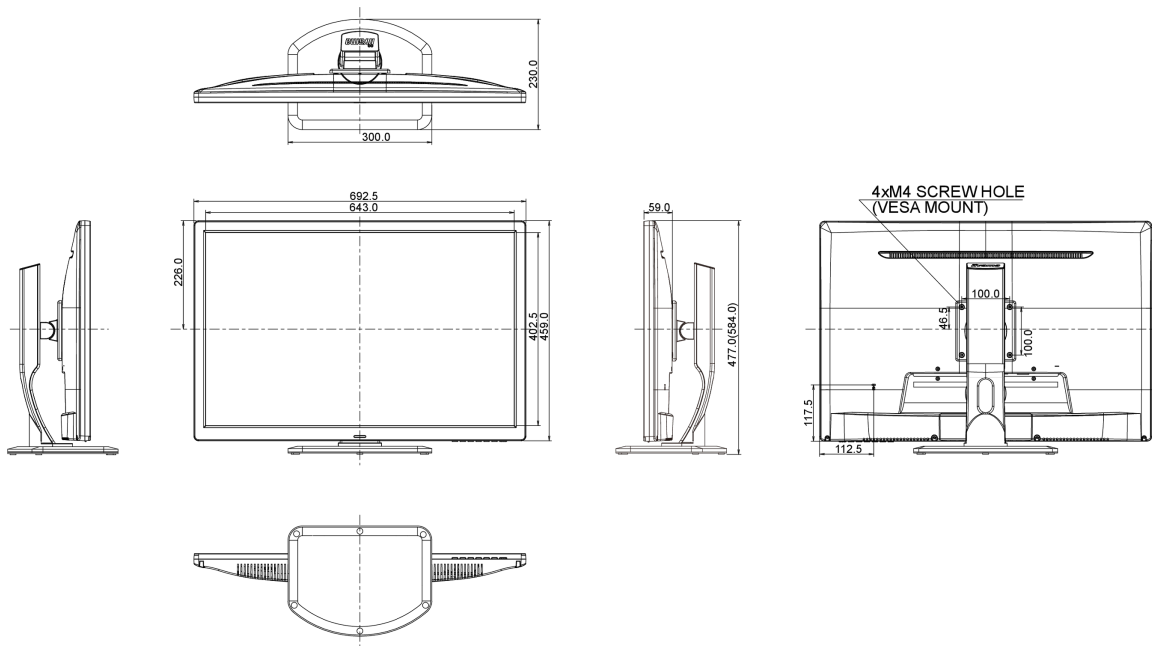
Power supply unit	internal
Power supply	AC 100 - 240V, 50/60Hz
Power usage	73W typical, 0.5W stand by, 0.5W off mode

## 07 SUSTAINABILITY

Regulations	CE, TÜV-GS, VCCI-B, PSE, RoHS support, ErP, WEEE, CU, REACH
REACH SVHC	above 0.1%: Lead

## 08 DIMENSIONS / WEIGHT

Product dimensions W x H x D	692.5 x 477 (584) x 230mm
Weight (without box)	7.4kg
EAN code	4948570113286



All trademarks and registered trademarks acknowledged. E & O E. Specification subject to change without notice. All LCD's comply with ISO-9241-307:2008 in connection with pixel defects.

© IIYAMA CORPORATION. ALL RIGHTS RESERVED