



ProLite T1531SR is based on the latest 5 Wire Resistive technology. Price / performance ratio is ideal for the budget conscious user while quality and specification is certainly not compromised. The display inputs include both Analogue and Digital (DVI) with Touchscreen connectivity via either USB or RS-232 which offers greater than typical flexibility. A solid and steady base supports the TouchScreen with an adjustable stand offering full 90 degree angles. Extensive Touch Utilities allow for 4 point calibration and either 9/25 point linerization. An incredibly powerful Touch solution. Available in black and white.



### Touch technology - Resistive

5-wire resistive touchscreens are very durable and can be used in a variety of environments. They are especially recommended for shops, restaurants and industrial purposes.



### IP54

The IP Code classifies how resistant a device is to foreign objects and moisture. IP54 means that the monitor will operate in dusty conditions, and will resist splashing water.

## 01 DISPLAY CHARACTERISTICS

|                         |   |
|-------------------------|---|
| Diagonal                | 15", 38cm   |
| Panel                   | TN LED  |
| Native resolution       | 1024 x 768 (0.8 megapixel)  |
| Aspect ratio            | 4:3   |
| Panel brightness        | 370 cd/m <sup>2</sup>   |
| Brightness              | 300 cd/m <sup>2</sup> with touch                                      |
| Light transmittance     | 80%   |
| Static contrast         | 700:1 with touch  |
| Response time (GTG)     | 8ms   |
| Viewing zone            | horizontal/vertical: 170°/160°, right/left: 85°/85°, up/down: 80°/80° |
| Colour support          | 16.7mln   |
| Horizontal Sync         | 31.5 - 60.2kHz  |
| Viewable area W x H     | 304 x 228mm, 12 x 9"  |
| Pixel pitch             | 0.297mm   |
| Bezel colour and finish | white, matte  |

## 02 TOUCH

|                             |   |
|-----------------------------|---|
| Touch technology            | serial resistive  |
| Touch method                | stylus, finger, glove   |
| Touch interface             | USB   |
| Supported operating systems | All iiyama monitors are Plug & Play and compatible with Windows and Linux. For details regarding the supported OS for the touch models, please refer to the driver instruction file available in the downloads section. |

## 03 INTERFACES / CONNECTORS / CONTROLS

|                      |                 |
|----------------------|-----------------|
| Analog signal input  | VGA x1          |
| Digital signal input | DVI x1          |
| Audio output         | Speakers 2 x 1W |

## 04 FEATURES

|                           |              |
|---------------------------|--------------|
| Water and dust protection | IP54 (front) |
| OSD key lock              | yes          |

## 05 GENERAL

|                 |   |
|-----------------|---|
| OSD languages   | EN, DE, FR, ES, IT, CN, JP  |
| Control buttons | Menu, Scroll up/ Brightness, Scroll down/ Mute, Select/ Auto, Power   |
| User controls   | contrast, brightness, auto adjust, H.position, V.position, H.size, fine, OSD H.position, OSD V.position, OSD timeout, reset, input select, OSD language, colour temperature, volume, mute |
| Convenience     | Kensington-lock™ prepared   |
| Plug&Play       | DDC2B   |

## 06 MECHANICAL

|            |                 |
|------------|-----------------|
| Tilt angle | 90° up; 5° down |
|------------|-----------------|

|                         |             |
|-------------------------|-------------|
| VESA mounting           | 100 x 100mm |
| Cable management system | yes         |

## 07 ACCESSORIES INCLUDED

|             |                                  |
|-------------|----------------------------------|
| Cables      | power, VGA, DVI, USB, Audio      |
| Guides      | quick start guide, safety guide  |
| Other       | Touch Panel Driver Disk (CD-ROM) |
| Cable cover | yes                              |

## 08 POWER MANAGEMENT

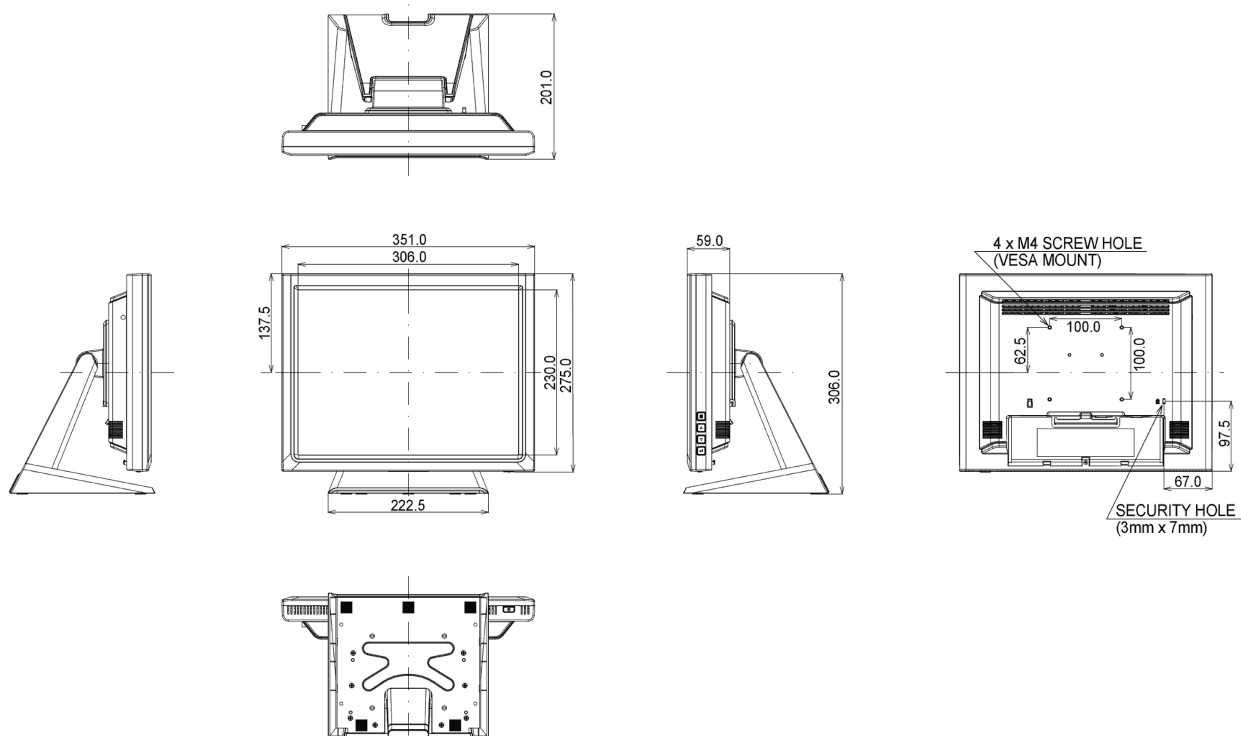
|                   |                                       |
|-------------------|---------------------------------------|
| Power supply unit | internal                              |
| Power supply      | AC 100 - 240V, 50/60Hz                |
| Power usage       | 16W typical, 2W stand by, 2W off mode |

## 09 SUSTAINABILITY

|             |   |
|-------------|---|
| Regulations | CB, CE, TÜV-Bauart, RoHS support, ErP, WEEE, CU, cULus, VCCI, REACH |
| REACH SVHC  | above 0.1%: Lead  |

## 10 DIMENSIONS / WEIGHT

|                              |                   |
|------------------------------|-------------------|
| Product dimensions W x H x D | 351 x 306 x 201mm |
| Weight (without box)         | 4.8kg             |



*All trademarks and registered trademarks acknowledged. E & O E. Specification subject to change without notice. All LCD's comply with ISO-9241-307:2008 in connection with pixel defects.*

© IYAMA CORPORATION. ALL RIGHTS RESERVED