



28" 4K monitor - the power of four Full HD monitors in ONE

Do you want a single screen? Still you need to simultaneously display content from different input sources? Great! The iiyama B2875UHSU is exactly what you are looking for. Featuring 4K (3840 x 2160) resolution, the monitor offers a gigantic viewable area with 4 times more information and work space than a Full HD screen. PIP and PBP features allow users to easily create their own work space by displaying and manipulating multiple applications from two different data sources. In addition, the high-quality panel offers high performance with great colour reproduction and a fast response time, and the height adjustable stand allows you to adjust the screen position to your preferences. Powerful and useful – iiyama B2875UHSU – your monitor for years to come.



4K

UHD resolution (3840x2160), better known as 4K, offers a gigantic viewable area with 4 times more information and work space than a Full HD screen. Due to the high DPI (dots per inch), it displays an incredibly sharp and crisp image.



Height Adjustable Stand

A Height Adjustable Stand allows you to set the perfect position of the screen ensuring ergonomic posture and optimal viewing comfort which benefits not only your health but also productivity.

01 DISPLAY CHARACTERISTICS

Diagonal	28", 71cm
Panel	TN LED, matte finish
Native resolution	3840 x 2160 (8.3 megapixel 4K)
Aspect ratio	16:9
Panel brightness	300 cd/m ²
Static contrast	1 000:1
Advanced contrast	20M:1
Response time (GTG)	1ms
Viewing zone	horizontal/vertical: 170°/160°, right/left: 85°/85°, up/down: 80°/80°
Colour support	1.07B 10bit (sRGB: 102%, NTSC: 72%)
Horizontal Sync	30 - 135kHz
Viewable area W x H	620.93 x 341.28mm, 24.4 x 13.4"
Pixel pitch	0.16mm
Colour	matte

02 INTERFACES / CONNECTORS / CONTROLS

Signal input	VGA x1 DVI x1 HDMI x1 DisplayPort x1
USB HUB	x3 (1xv.3.0 & 2xv.2.0)
HDCP	yes
Headphone connector	yes

03 FEATURES

Blue light reducer	yes
Adaptive Sync support	DisplayPort: 3840x2160 @60Hz
Extra	USB 3.0 battery charger, PiP, PbP
OSD languages	EN, DE, FR, ES, IT, PT, RU, JP, CZ, NL, PL
Control buttons	Power, Menu, Scroll up/ Volume, Scroll down/ ECO mode, Input/ Auto/ Exit
User controls	luminance (contrast, brightness, i-Style Colour, ACR, OD), image setup (clock, phase, H. Position, V. Position, aspect ratio, FreeSync), colour temp., OSD (timeout, language, PiP settings (PiP, size, position, swap), extra (input select, DDC/CI, reset, information)
Speakers	2 x 2.5W
Convenience	Kensington-lock™ prepared, DDC/CI, DDC2B, Mac OSX

04 MECHANICAL

Display position adjustments	height, swivel, tilt
Height adjustment	130mm
Swivel stand	90°; 45° left; 45° right
Tilt angle	17° up; 0° down
VESA mounting	100 x 100mm

05 ACCESSORIES INCLUDED

Cables power, USB, HDMI, DP

Other quick start guide, safety guide

06 POWER MANAGEMENT

Power supply unit internal

Power supply AC 100 - 240V, 50/60Hz

Power usage 44W typical, 0.5W stand by, 0.5W off mode

07 SUSTAINABILITY

Regulations CE, TÜV-Bauart, EAC, VCCI-B, PSE, RoHS support, ErP, WEEE, REACH

Energy efficiency class (Regulation (EU) 2017/1369) G

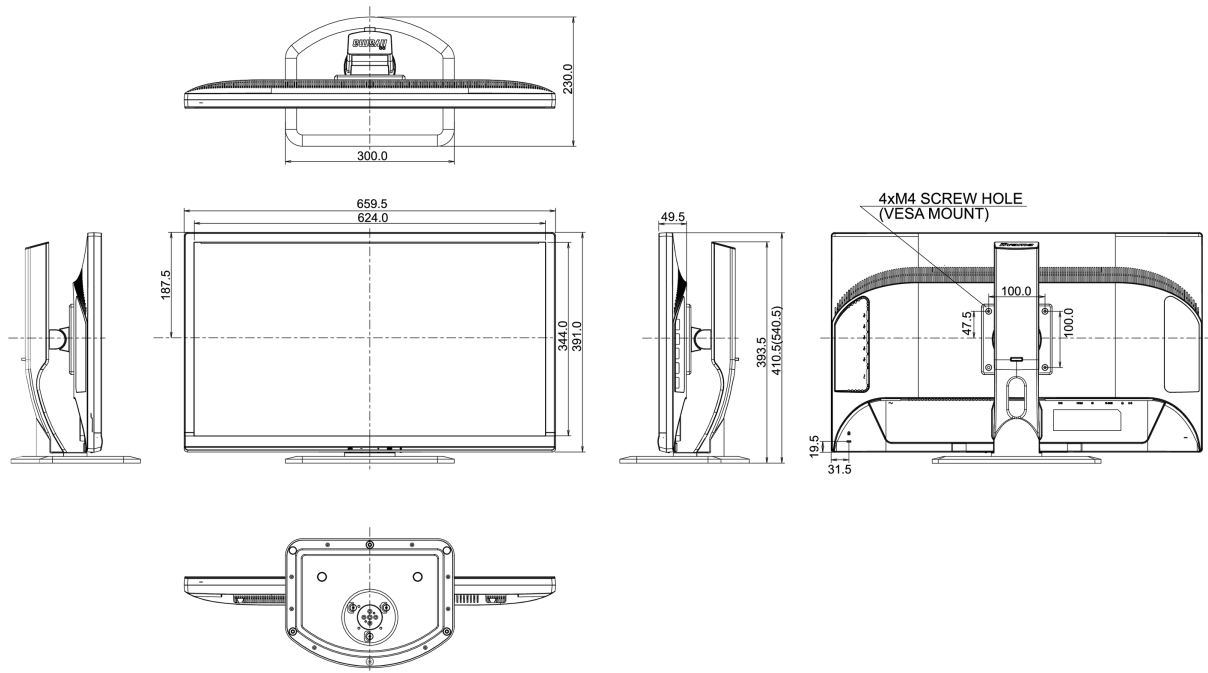
REACH SVHC above 0.1%: Lead

08 DIMENSIONS / WEIGHT

Product dimensions W x H x D 659.5 x 410.5 (540.5) x 230mm

Weight (without box) 7.5kg

EAN code 4948570115662



All trademarks and registered trademarks acknowledged. E & O E. Specification subject to change without notice. All LCD's comply with ISO-9241-307:2008 in connection with pixel defects.