



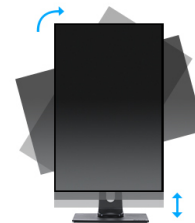
A Full HD LED monitor with VA panel and height adjustable stand

The ProLite XB2283HS is an excellent 22" Full HD LED-backlit monitor with 1920 x 1080p resolution and VA panel technology guaranteeing accurate and consistent colour reproduction with wide viewing angles. Triple Input support ensures compatibility with the latest installed graphics cards and embedded Notebook outputs. The XB2283HS is also equipped with two high quality stereo speakers. The ergonomic stand offers 13 cm height adjustment with pivot and swivel, making this screen suitable for a wide range of applications and environments where workplace flexibility and ergonomics are key factors. The monitor is Energy Star Certified. A perfect solution for education, local government, business and finance markets.



Flicker-free + Blue light

The ultimate solution for the comfort and health of your eyes. Flicker-free monitors with the blue light reducer function substantially reduce the strain and fatigue caused by flickering and blue light emittance of regular monitors.



HAS + Pivot

With a height adjustable stand you will create an ergonomic work posture and position that meets all health and safety requirements. This will not only prevent any health issues but will also increase your productivity. The pivot function allows the screen to rotate from landscape to portrait orientation. This functionality can be useful if the application requires more height than width.

01 DISPLAY CHARACTERISTICS

| | |
|---------------------|---|
| Diagonal | 21.5", 54.7cm |
| Panel | VA LED, matte finish |
| Native resolution | 1920 x 1080 @75Hz (HDMI&DisplayPort, 2.1 megapixel Full HD) |
| Aspect ratio | 16:9 |
| Panel brightness | 250 cd/m ² |
| Static contrast | 3000:1 |
| Advanced contrast | 80M:1 |
| Response time (GTG) | 4ms |
| Viewing zone | horizontal/vertical: 178°/178°, right/left: 89°/89°, up/down: 89°/89° |
| Colour support | 16.7mIn (sRGB: 99%; NTSC: 72%) |
| Horizontal Sync | 30 - 80kHz |
| Viewable area W x H | 476.6 x 268.1mm, 18.8 x 10.6" |
| Pixel pitch | 0.248mm |
| Colour | matte |

02 INTERFACES / CONNECTORS / CONTROLS

| | |
|---------------------|-------------------------------------|
| Signal input | VGA x1 HDMI x1 DisplayPort x1 |
| HDCP | yes |
| Headphone connector | yes |

03 FEATURES

| | |
|--------------------|---|
| Blue light reducer | yes |
| Flicker free | yes |
| OSD languages | EN, DE, FR, ES, IT, CN, RU, JP, CZ, NL, PL |
| Control buttons | Power, Menu/ Select, Scroll up/ Volume, Scroll down/ ECO, Exit, Input Select |
| User controls | picture adjust (contrast, brightness, OD, ACR, ECO, Blue Light Reducer), input select, audio adjust (volume, mute, digital audio), colour adjust, image adjust (auto adjust, H. position, V. position, clock, phase, sharpness, video mode adjust), language, setup (OSD position, OSD timeout, opening logo, auto power off), display information, reset |
| Speakers | 2 x 1W |
| Convenience | Kensington-lock™ prepared, DDC2B, Mac OSX |

04 MECHANICAL

| | |
|------------------------------|--|
| Display position adjustments | height, pivot (rotation), swivel, tilt |
| Height adjustment | 130mm |
| Rotation (PIVOT function) | 90° |
| Swivel stand | 90°; 45° left; 45° right |
| Tilt angle | 22° up; 5° down |
| VESA mounting | 100 x 100mm |

05 ACCESSORIES INCLUDED

| | |
|--------|-------------|
| Cables | power, HDMI |
|--------|-------------|

Other

quick start guide, safety guide

06 POWER MANAGEMENT

Power supply unit

internal

Power supply

AC 100 - 240V, 50/60Hz

Power usage

19W typical, 0.29W stand by, 0.5W off mode

07 SUSTAINABILITY

Regulations

TCO Certified, CE, TÜV-GS, EAC, VCCI-B, PSE, RoHS support, ErP, WEEE, REACH

REACH SVHC

above 0.1%: Lead

08 DIMENSIONS / WEIGHT

Product dimensions W x H x D

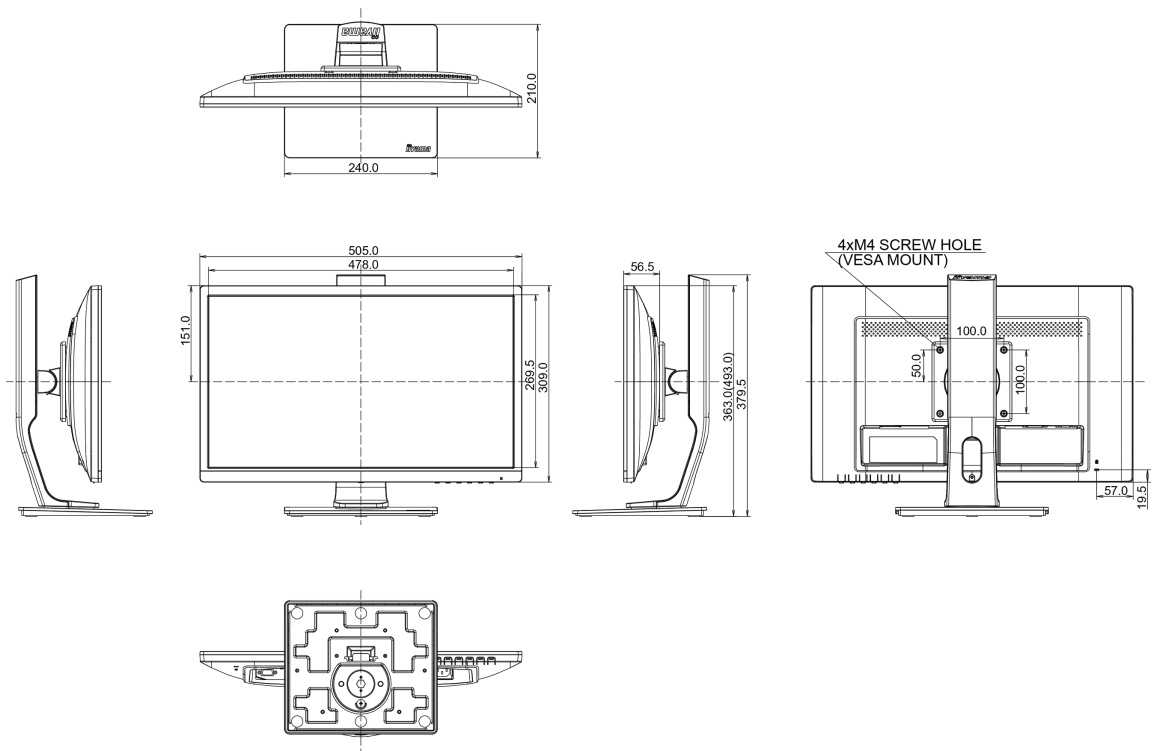
505 x 363 (493) x 210mm

Weight (without box)

4.8kg

EAN code

4948570115945



All trademarks and registered trademarks acknowledged. E & O E. Specification subject to change without notice. All LCD's comply with ISO-9241-307:2008 in connection with pixel defects.

© IIYAMA CORPORATION. ALL RIGHTS RESERVED

29.04.2024 00:17:07