



**15.6" Full HD PCAP 10 point Open Frame touchscreen featuring IPS Panel Technology**

The ProLite TF1634MC-B7X uses projective capacitive touch technology, built into an eye catching bezel with edge-to-edge glass. Featuring IPS Panel Technology and Full HD (1920x1080) resolution, it offers natural, highly accurate colours and wide viewing angles. In addition to the superb image quality, the screen comes with an IP65 rating, which means the screen and bezel is totally dust and water resistant, making it a perfect solution for demanding kiosk installations. For ease of integration, the TF1634MC-B7X can be equipped with optional external mounting brackets ([OMK1-1](#)) making it an ideal solution for kiosk integrators and Instore Retail.



**IPS Technology**

IPS technology offers higher contrast, darker blacks and much better viewing angles than standard TN technology. The screen will look good no matter what angle you look at it.



**Full HD**

With true 1920 x 1080p resolution your monitor is ready to display high definition images. This means you can accommodate more information on your screen; e.g. 60% more in comparison to a 1280 x 1024 monitor.

## 01 DISPLAY CHARACTERISTICS

Design	Edge to edge glass, Open Frame
Diagonal	15.6", 39.5cm
Panel	IPS Panel Technology LED
Native resolution	1920 x 1080 @60Hz (2.1 megapixel)
Aspect ratio	16:9
Panel brightness	450 cd/m <sup>2</sup>
Brightness	405 cd/m <sup>2</sup> with touch
Light transmittance	90%
Static contrast	700:1 with touch
Response time (GTG)	25ms
Viewing zone	horizontal/vertical: 178°/178°, right/left: 89°/89°, up/down: 89°/89°
Colour support	16.2mln (6bit + Hi-FRC)
Horizontal Sync	30 - 84kHz
Viewable area W x H	344.2 x 193.5mm, 13.6 x 7.6"
Pixel pitch	0.179mm
Bezel colour and finish	black, matte

## 02 TOUCH

Touch technology	projective capacitive
Touch points	10 (HID, only with supported OS)
Touch method	stylus, finger, glove (latex)
Touch interface	USB2.0 (USB-C input connector)
Supported operating systems	All iiyama monitors are Plug & Play and compatible with Windows and Linux. For details regarding the supported OS for the touch models, please refer to the driver instruction file available in the downloads section.

## 03 INTERFACES / CONNECTORS / CONTROLS

Analog signal input	VGA x1
Digital signal input	HDMI x1 DisplayPort x1
HDCP	yes

## 04 FEATURES

Extra	anti-fingerprint coating
Glass thickness	2.4mm
Glass hardness	7H
Water and dust protection	IP65 (front)
OSD key lock	yes

## 05 GENERAL

OSD languages	EN, DE, FR, ES, IT, CN, JP
Control buttons	Menu, Scroll up/ Brightness, Scroll down/ Contrast, Select, Power
User controls	picture (contrast, brightness, H-position, V-position, phase, clock, auto adjust), advanced (color temp., sharpness), OSD (timeout, position, H-position, V-position), option (reset, language, source select, display mode, factory)

Plug&Play	DDC2B
-----------	-------

## 06 MECHANICAL

Orientation	landscape, portrait, face-up
-------------	------------------------------

VESA mounting	100 x 100mm
---------------	-------------

## 07 ACCESSORIES INCLUDED

Cables	power, USB, HDMI, DP
--------	----------------------

Guides	quick start guide, safety guide
--------	---------------------------------

Other	AC adapter
-------	------------

## 08 POWER MANAGEMENT

Power supply unit	external
-------------------	----------

Power supply	DC 12 V
--------------	---------

Power usage	18W typical, 0.5W stand by, 0.5W off mode
-------------	-------------------------------------------

## 09 SUSTAINABILITY

Regulations	CE, EAC, RoHS support, ErP, WEEE, cULus, REACH
-------------	------------------------------------------------

REACH SVHC	above 0.1%: Lead
------------	------------------

## 10 DIMENSIONS / WEIGHT

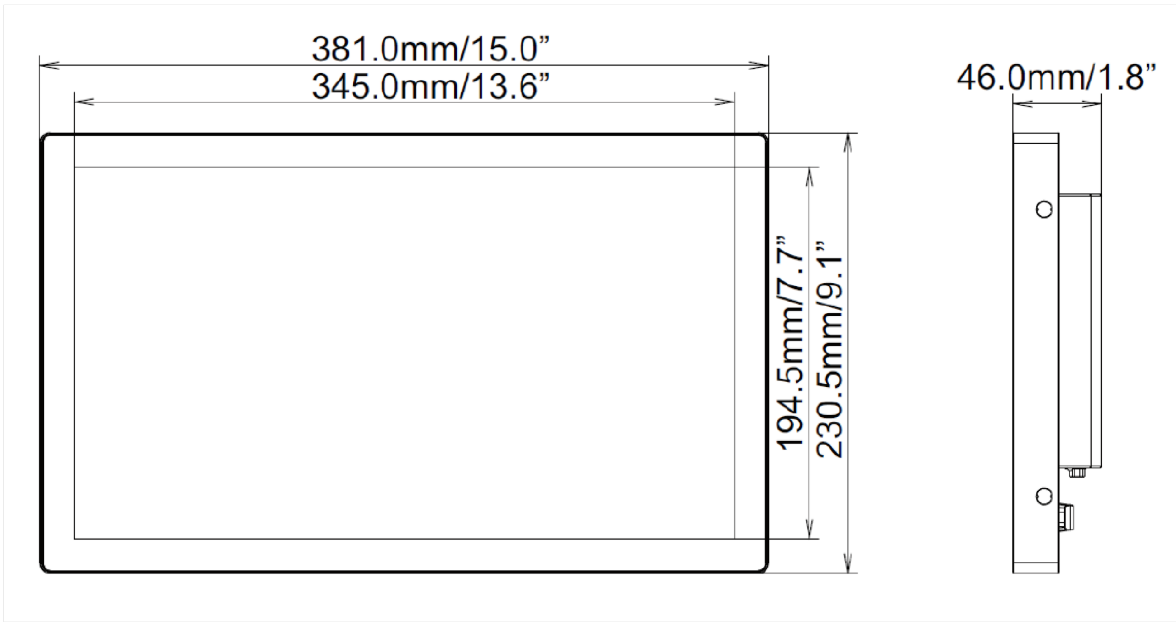
Product dimensions W x H x D	381 x 230.5 x 46mm
------------------------------	--------------------

Box dimensions W x H x D	455 x 365 x 290mm
--------------------------	-------------------

Weight (without box)	2.0kg
----------------------	-------

Weight (with box)	6.6kg
-------------------	-------

EAN code	4948570117628
----------	---------------



*All trademarks and registered trademarks acknowledged. E & O E. Specification subject to change without notice. All LCD's comply with ISO-9241-307:2008 in connection with pixel defects.*

© IYAMA CORPORATION. ALL RIGHTS RESERVED