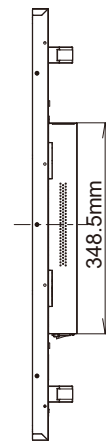
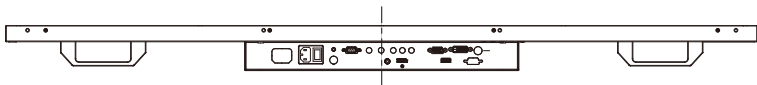
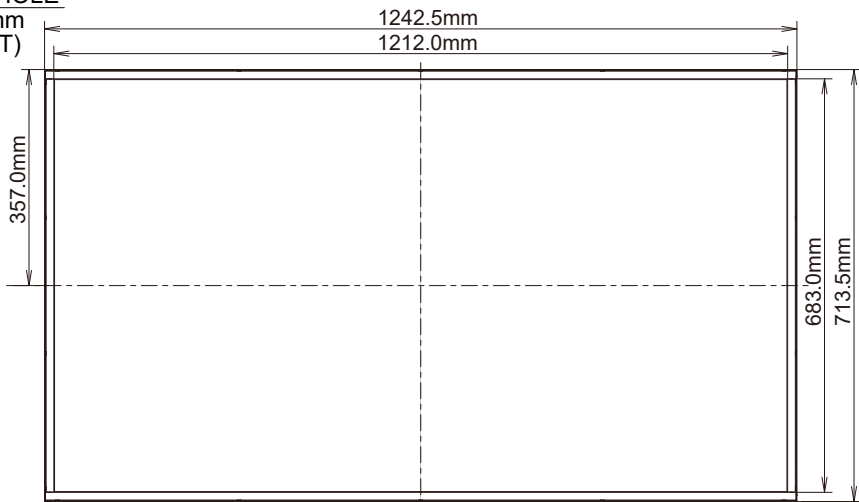
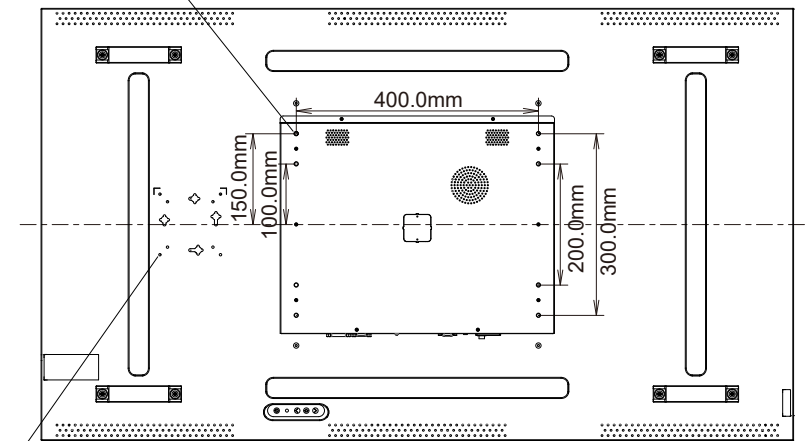


8xM4 SCREW HOLE
max. depth 10mm
(SIDE MOUNT)



8xM6 SCREW HOLE
(VESA MOUNT)



8xM4 SCREW HOLE
max. depth 10mm
(NUC holes 75x75mm, 100x100mm)