

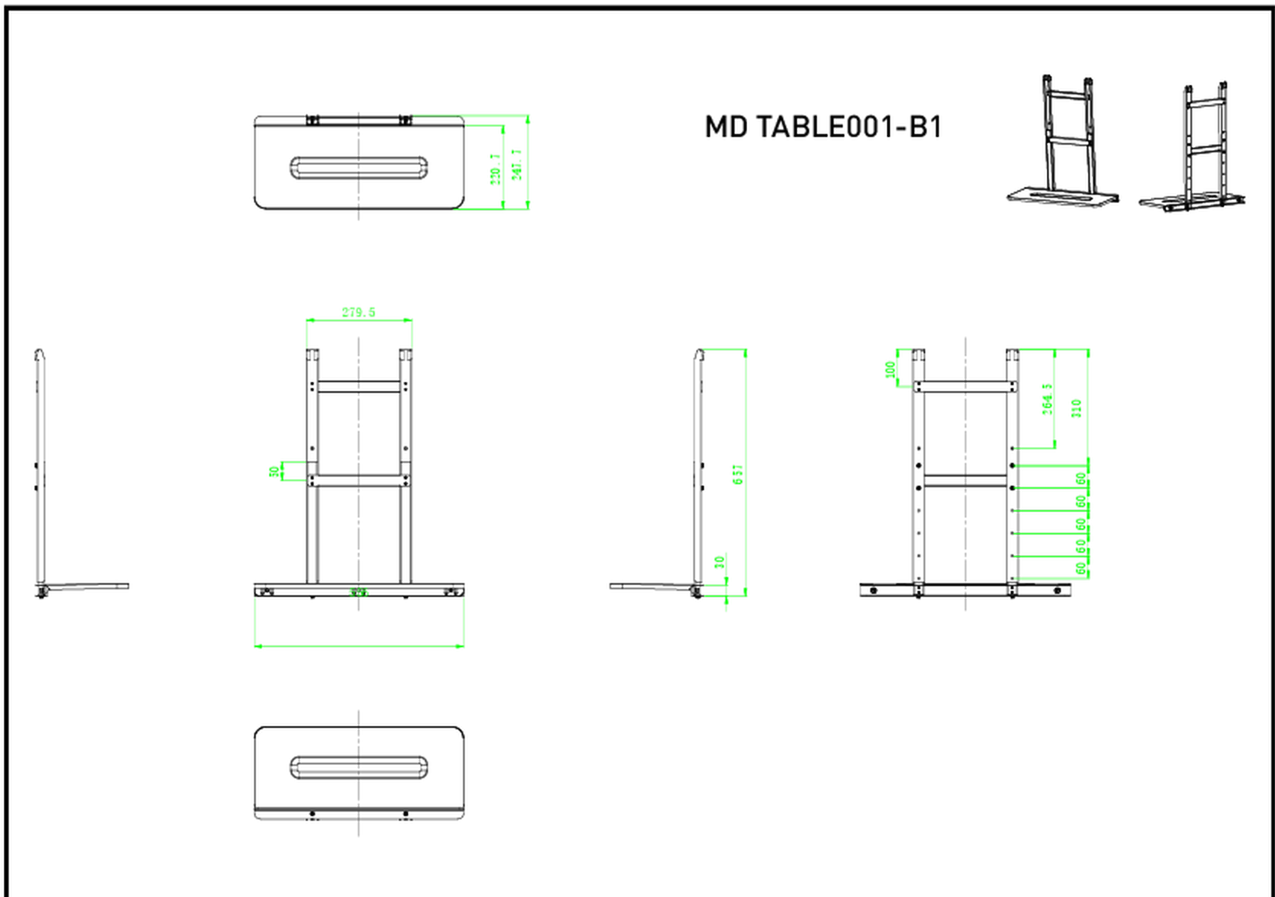
Laptop shelf

A laptop shelf is an optional accessory compatible with [MD WLIFT1021-B1](#). Can be used to place a laptop in front of a large format display on a lift stand. It can support a computer with a maximum weight of up to 10kg.

01 TECHNIKAI PARAMÉTEREK

Maximális teherbírás

10kg / monitor



02 MÉRETEK / SÚLY

