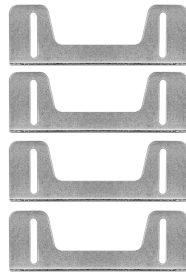
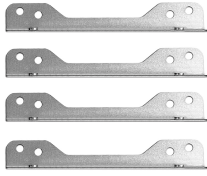


OMK5-1

iiyama



MOUNTING BRACKETS KIT

OMK5-1

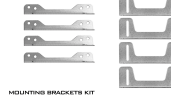
iiyama



MOUNTING BRACKETS KIT

OMK5-1

iiyama



MOUNTING BRACKETS KIT

OPTIONAL BRACKETS,  
OMK5-1



## Mounting brackets kit for iiyama TF1615MC open frame touchscreens

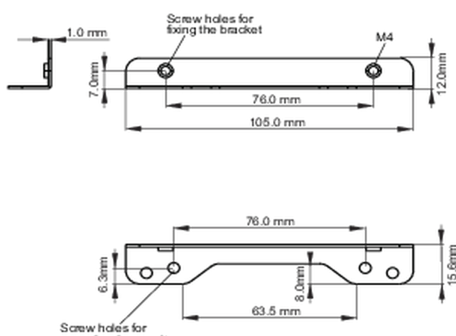
This solution is compatible for the following iiyama model: [TF1615MC](#)

### 01 TECHNICAL SPECIFICATION

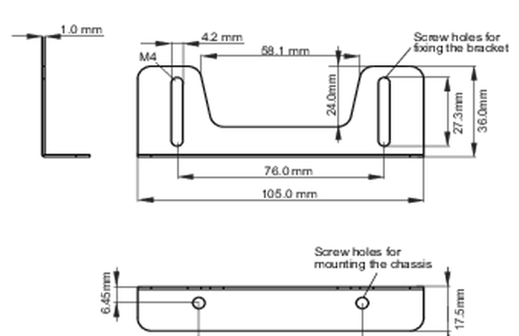
Type mounting bracket

#### ● Bracket dimensions

<Bracket A>



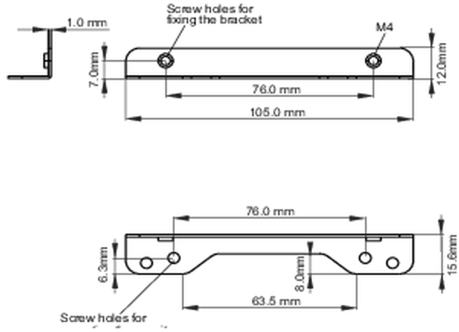
<Bracket B>



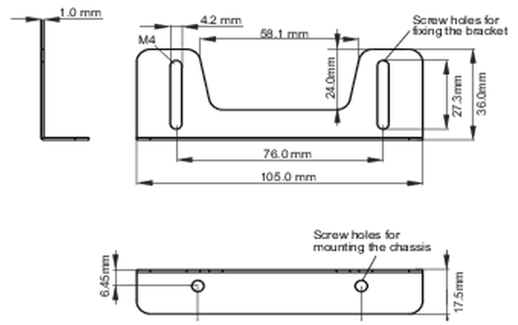
### 02 DIMENSIONS / WEIGHT

● Bracket dimensions

<Bracket A>



<Bracket B>



03 RELATED INFORMATION

Related products

[ProLite TF1615MC-B1](#)

All trademarks and registered trademarks acknowledged. E & O E. Specification subject to change without notice. All LCD's comply with ISO-9241-307:2008 in connection with pixel defects.

© IIYAMA CORPORATION. ALL RIGHTS RESERVED