

Double column electric floor lift on wheels

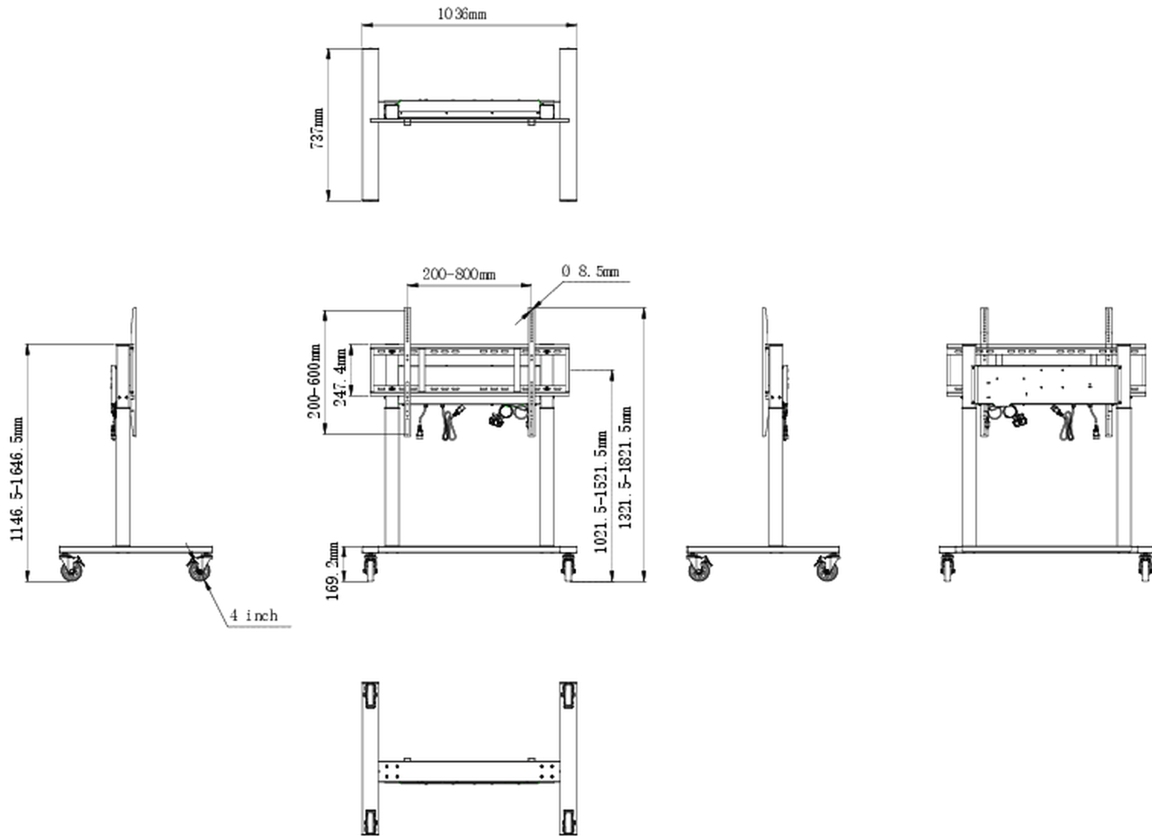
An anti-collision electric trolley for large format displays up to VESA 800x600mm. This product is unique because of its screen flexibility and installation ease, within just five steps the product is installed and ready for use in any meeting area.

This mobile stand with electrical 500mm height adjustment provides a continuous and silent adjustment, controlled directly from a compatible iiyama TE SERIES display or with the attached control pad. The 4-inch muting castor omni directional wheels make it easy and save to move the car around. The integrated screen bracket supports most VESA patterns, making this floor lift suitable for every display up to 86" with a max. weight of 80kg.

*Attention: This electric floor lift is not recommended for 75" & 86" displays in large (class)rooms. Particularly in large spaces such as lecture halls with elevated seats or where many people sit in a row, the bottom of the screen may not be sufficiently visible to everyone.

01 TECHNICAL SPECIFICATION

| | |
|----------------------------|---|
| Height adjustment | 500mm, Centre of the screen is 1021.5 - 1521.5mm |
| Max weight capacity | 80kg / monitor |
| VESA maximum | 800 x 600mm |
| Extra | cable clips, customized cables (USB cable, remote controller, two power extension cables) |



02 DIMENSIONS / WEIGHT

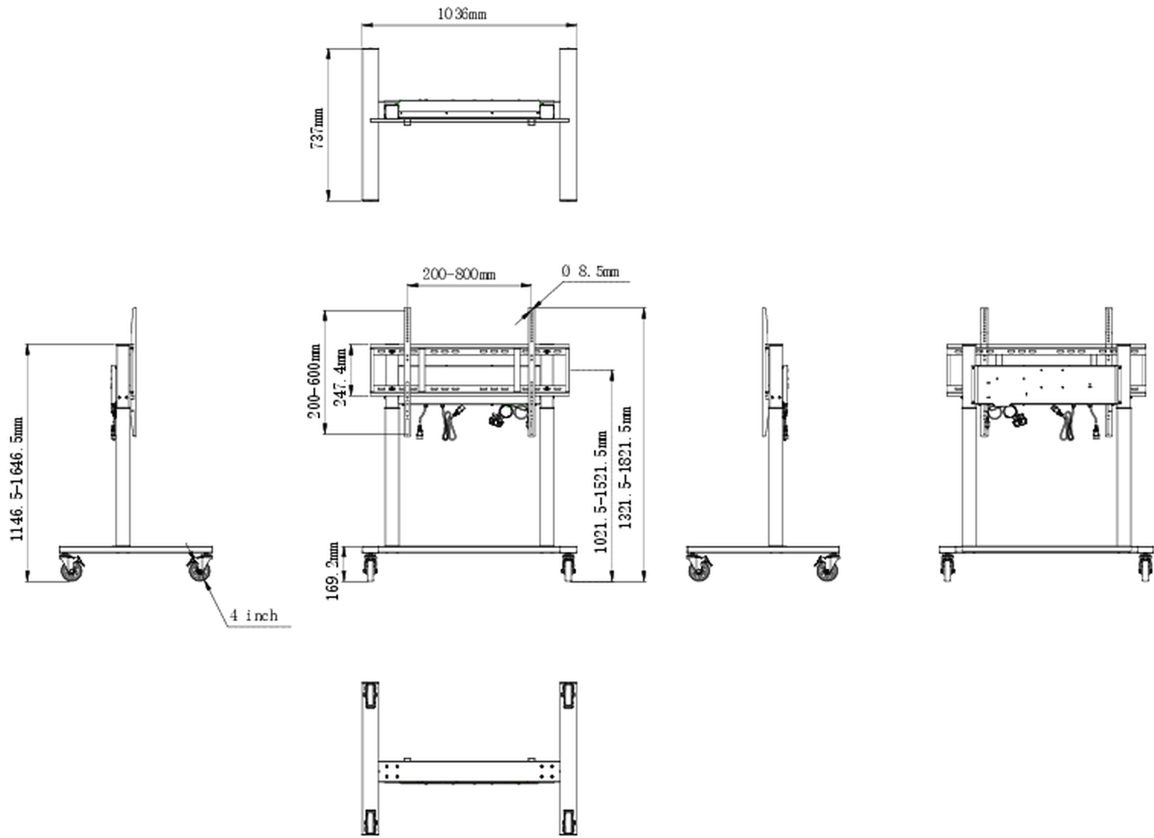
Product dimensions W x H x D 1036 x 1298 to 1798 x 737mm

Box dimensions W x H x D 1123 x 1123 x 132mm

Weight (without box) 32.4kg

Weight (with box) 37.1kg

EAN code 4948570033126



All trademarks and registered trademarks acknowledged. E & O E. Specification subject to change without notice. All LCD's comply with ISO-9241-307:2008 in connection with pixel defects.

© IIYAMA CORPORATION. ALL RIGHTS RESERVED