

## Single column electric floor lift for monitors up to 98"

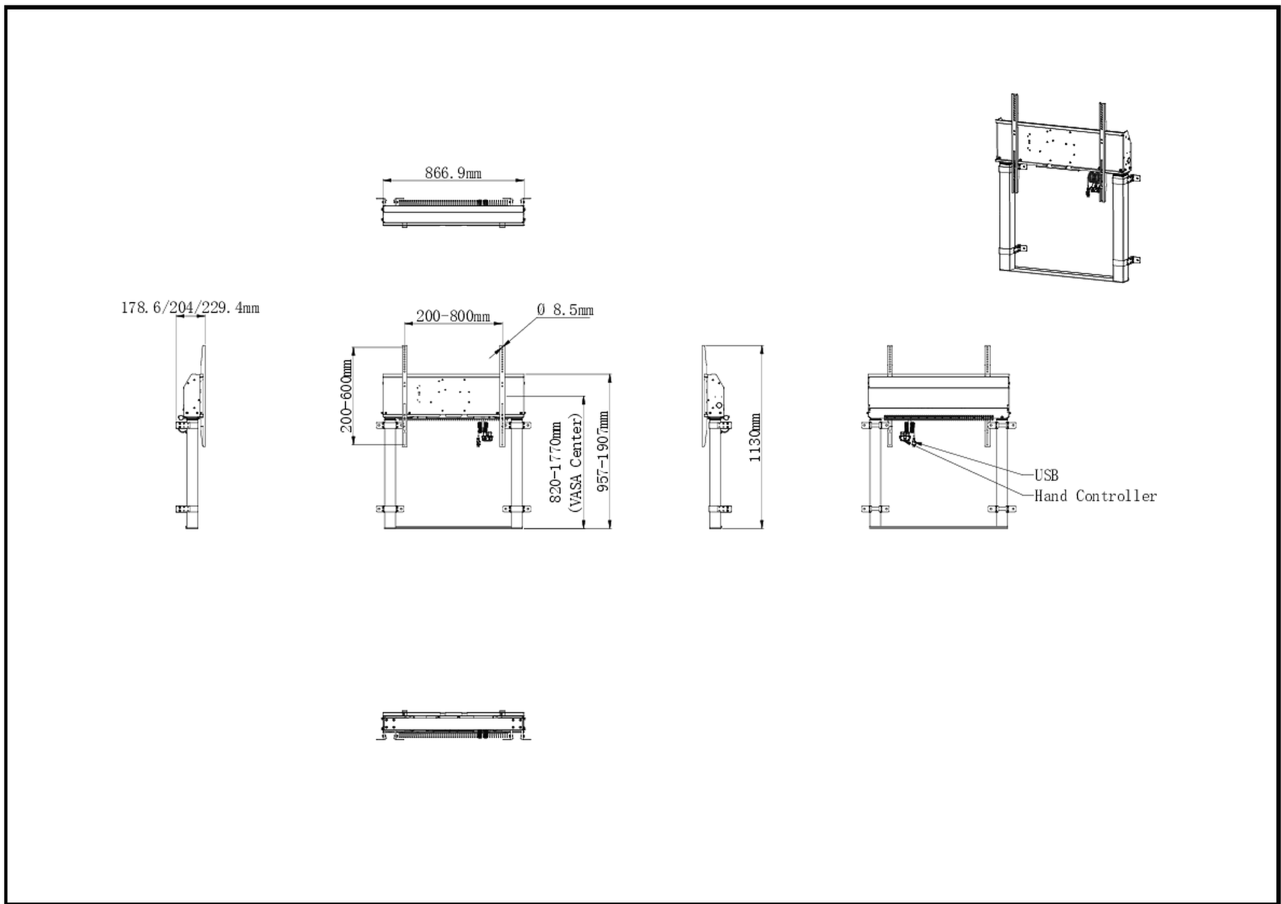
This fixed on-floor and wall single-column electric lift stand is a perfect solution for 55"-98" displays. It's suitable with screens up to VESA 800x600mm and up to 120kg. Equipped with an easy mount, based on "pull and release" brackets and a wired remote, it is a perfect solution for displays placed in classrooms or conference rooms.

This column is a perfect match for the iiyama TE12, TE14 and TE18 SERIES iLFDs allowing users to control the height from the screen itself. With the option to save 2 height level pre-sets, different users can quickly adjust the screen position to their needs. The 4-inch muting castor omni directional wheels make it easy and save to move the car around.

\*To mount a 105" display you need the additional mounting kit MD-ADAP001

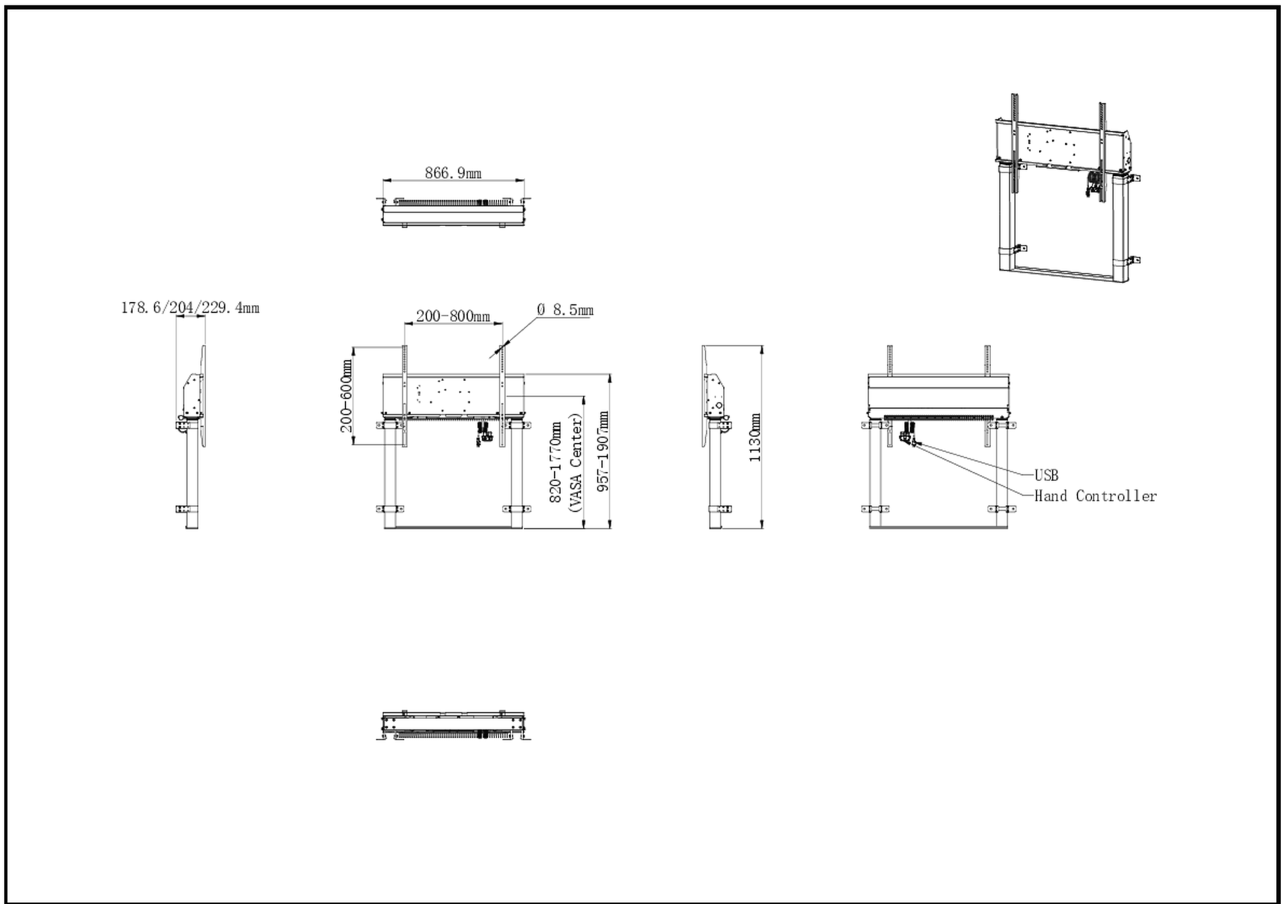
### 01 TECHNICAL SPECIFICATION

Type	White, 1.8m
Number of screens	1
Screen size	55" - 105"
Height adjustment	950mm, Centre of the screen is 812 - 1762mm
Max weight capacity	120kg / монитор
VESA maximum	800 x 600mm
Extra	For screens up to 98" (105" needs additional mounting kit - MD-ADAP001), cable management, customized cables (Power, USB, Control pad)



## 02 РАЗМЕР / ВЕС

Размер продукта Ш x В x Г	886.9 x 1770 x 178.6229.4мм
Размер коробки Ш x В x Г	1132 x 182 x 754мм
Вес (без упаковки)	35.4кг
Вес (с упаковкой)	38кг
EAN код	4948570033263



### 03 СОПУТСТВУЮЩАЯ ИНФОРМАЦИЯ

Сопутствующие товары

[MD WLIFT1021-B1](#)

*Все товарные знаки и торговые марки являются собственностью их владельцев и они защищены. Ошибки и изменения допускаются. Спецификации могут быть изменены без уведомления. Все LCD мониторы соответствуют стандарту ISO-9241-307:2008 по политике битых пикселей.*

© IIYAMA CORPORATION. ALL RIGHTS RESERVED