



10pt touch Open Frame monitor with IPS panel and touch through glass function

The ProLite TF2215MC-B2 (21.5 inch) uses PCAP touch technology and is built into an eye-catching bezel with edge-to-edge glass. Thanks to a glass overlay covering the screen and a rugged bezel, it guarantees high durability and scratch-resistance, making it perfect for kiosk and high use public facing applications. Equipped with a foam seal finish it supports seamless integration into kiosks and provides IP65 rating resulting in dust and water resistance from the front. Landscape, portrait and face-up orientation ensures flexible mounting possibilities in almost any installation. For ease of integration, the TF2215MC-B2 can be equipped with optional external mounting brackets ([OMK3-1](#)) making it an ideal solution for kiosk integrators, industrial environments, control rooms and interactive multimedia.



Touch through-glass

This through glass touch screen works right through glass and can turn glass surfaces into an interactive touch screen display. Use it on storefront windows, real estate office, in-store for POS or restaurants.



Foam Seal

A foam seal finish (8mm) around the monitor ensures seamless integration and optimal dust protection.

01 DISPLAY CHARACTERISTICS

Design	Open Frame
Diagonal	21.5", 54.6cm
Panel	IPS LED
Native resolution	1920 x 1080 (2.1 megapixel Full HD)
Aspect ratio	16:9
Panel brightness	350 cd/m ²
Brightness	315 cd/m ² with touch
Light transmittance	90%
Static contrast	1000:1
Response time (BTB)	14ms
Viewing zone	horizontal/vertical: 178°/178°, right/left: 89°/89°, up/down: 89°/89°
Horizontal Sync	31.4 - 82kHz
Viewable area W x H	476.064 x 267.786mm, 18.7 x 10.5"
Pixel pitch	0.24795mm
Bezel colour and finish	black

02 TOUCH

Touch technology	projective capacitive
Touch points	10 (HID, only with supported OS)
Touch method	stylus, finger, glove (latex)
Touch interface	USB
Supported operating systems	All iiyama monitors are Plug & Play and compatible with Windows and Linux. For details regarding the supported OS for the touch models, please refer to the driver instruction file available in the downloads section.
Through-Glass	6mm

03 INTERFACES / CONNECTORS / CONTROLS

Analog signal input	VGA x1
Digital signal input	HDMI x1 DisplayPort x1
Audio output	Mini jack x1
HDCP	yes

04 FEATURES

Extra	anti-fingerprint coating, touch through-glass
Glass hardness	7H
60950 Ball drop test	yes
Water and dust protection	IP65 (front)
Water tight seal	yes
OSD key lock	yes

05 GENERAL

OSD languages	EN, DE, FR, ES, IT, CN, JP
Control buttons	Menu, Scroll up/ Brightness, Scroll down/ Contrast, Select, Power

User controls

picture (contrast, brightness, H-position, V-position, phase, clock, auto adjust), advanced (color temp, sharpness), OSD (timeout, position, H-position, V-position, touch switch), option (reset, language, source select, display mode, factory)

Plug&Play

DDC2B

06 MECHANICAL**Orientation**

landscape, portrait, face-up

VESA mounting

100 x 100mm

Operation temperature range

0°C - 40°C

Storage temperature range

- 20°C - 60°C

07 ACCESSORIES INCLUDED**Cables**

power, USB, HDMI, DP

Guides

quick start guide, safety guide

Other

AC adapter, Touch Panel Driver Disk (CD-ROM), external control pad

08 POWER MANAGEMENT**Power supply unit**

external

Power supply

DC 12 V

Power usage

20.8W typical, 1.05W stand by, 0.32W off mode

09 SUSTAINABILITY**Regulations**

CB, CE, RoHS support, ErP, WEEE, CU, cULus, REACH

Energy efficiency class (Regulation (EU) 2017/1369)

F

REACH SVHC

above 0.1%: Lead

10 DIMENSIONS / WEIGHT**Product dimensions W x H x D**

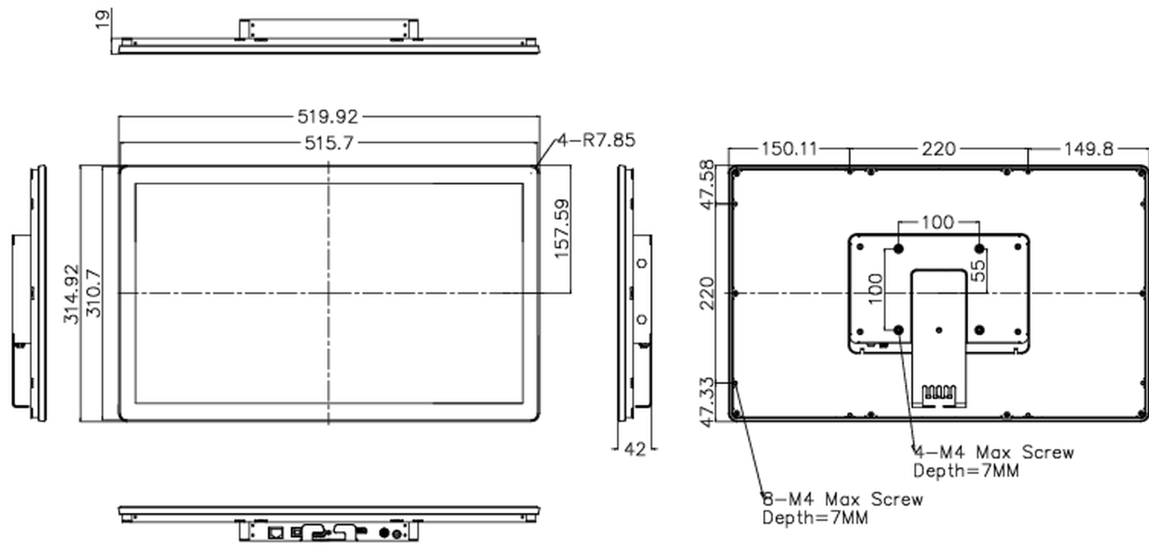
520 x 315 x 42.5mm

Weight (without box)

4.4kg

EAN code

4948570116768



All trademarks and registered trademarks acknowledged. E & O E. Specification subject to change without notice. All LCD's comply with ISO-9241-307:2008 in connection with pixel defects.

© IIYAMA CORPORATION. ALL RIGHTS RESERVED