



43" Landscape/Portrait Professional Digital Signage display, 18/7 operating time, 4K UHD resolution with Intel® SDM slot

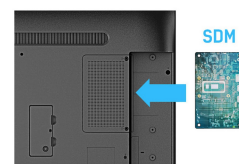
Enjoy brighter signage with the ProLite 42 Series. Delivering a slim bezel, 500cd/m² brightness display, which can be operated 18/7 in landscape and portrait orientation, for a choice on applications. Thanks to on-board Android 8.0, you can easily customize the display by installing applications directly to it, making the perfect choice for Digital Signage and In-store communication. . The embedded option of Nsign* empowers you to create and schedule a range of content across multiple screens using a powerful cloud-based solution; while the Intel® SDM Slot provides an embedded PC option for total flexibility, security and control. The

*Nsign license required – please see our [nsign landing page](#) for more information.



Android OS

Thanks to Android OS, you can easily customize the display to your needs by installing applications directly to it.



Smart Display Module

A Smart Display Module (Small/Large) is a plug-in module which can easily be inserted into the most stylish and ultra-slim displays. This small sized module delivers great performance with minimum implementation and management. Available as optional.

01 DISPLAY CHARACTERISTICS

Design	Thin bezel
Diagonal	42.5", 108cm
Panel	IPS, matte finish, haze 1%
Native resolution	3840 x 2160 @60Hz (8.3 MegaPixels 4K UHD)
Aspect ratio	16:9
Panel brightness	500 cd/m ²
Static contrast	1300:1
Response time (GTG)	8ms
Viewing zone	horizontal/vertical: 178°/178°, right/left: 89°/89°, up/down: 89°/89°
Colour support	1.07B 10bit
Horizontal Sync	30 - 80kHz
Viewable area W x H	941.18 x 529.42 xmm, 37.1 x 20.8"
Bezel width (sides, top, bottom)	13.9mm, 13.9mm, 13.9mm
Pixel pitch	0.245mm
Bezel colour and finish	black, matte

02 INTERFACES / CONNECTORS / CONTROLS

Analog signal input	VGA x1 (max. 1920x1080 @60Hz)
Digital signal input	DVI x1 (max. 1920x1080 @60Hz) HDMI x2 (max. 3840x2160 @60Hz)
Audio input	Mini jack x1 (3.5mm)
Monitor control input	RS-232c x1 (2.5mm sub-mini jack) RJ45 (LAN) x1 IR x1 (3.5mm stereo mini)
Audio output	S/PDIF (Optical) x1 Speakers 2 x 10W
Monitor control output	RS-232c x1 IR loop through x1 (3.5mm stereo mini)
HDCP	yes
USB ports	x2 (v.2.0 x1, v.3.0 x1)

03 FEATURES

Integrated software	Android OS 8.0, EShare, iiSignage
WiFi	optional
Hardware	CPU: HiSilicon V810, CA73*2+A53*2, Memory: 2GB DDR4, Storage: 16GB eMMC
Extra	Intel® SDM-S, micro SD card slot
Max. non-stop operating time	18/7
Anti image retention	yes
Media playback	yes
Housing (bezel)	metal (front)

04 GENERAL

OSD languages	EN, DE, FR, ES, IT, CN, RU, JP, CZ, NL, PL
Control buttons	Power, Mute, Input, Plus, Minus, Up, Down, Menu

User controls

picture (brightness, contrast, sharpness, black level, tint, color, noise reduction, gamma selection, color temperature, color control, smart power, over scan, picture reset), screen (H. position, V. position, clock, clock phase, zoom mode, custom zoom, auto adjust, screen reset), Audio (balance, treble, bass, volume, audio out, maximum volume, minimum volume, mute, audio source, audio reset, audio out sync), configuration 1 (switch on state, panel saving, RS232-routing, boot on source, configuration 1 reset, factory reset), Configuration 2 (OSD turn off, OSD H-Position, OSD V-position, rotation, information OSD, logo, monitor ID, monitor information, HDMI version, configuration 2 reset), Advanced option (IR control, Power LED light, keyboard control, off timer, date and time, schedule, language, OSD transparency, power save, SDM settings, advanced option reset), android settings (ethernet, signage display, system tools, apps, display, security, date & time, developer options, about)

Plug&Play

DDC2B

05 MECHANICAL

Orientation

landscape, portrait

Fanless design

yes

VESA mounting

200 x 200mm

Operation temperature range

0°C - 40°C

Storage temperature range

- 20°C - 60°C

MTBF

50.000 hours (excluding backlight)

06 ACCESSORIES INCLUDED

Cables

power, HDMI, RS-232c

Guides

quick start guide, safety guide

Other

Stickers for screw holes

Remote control

yes (batteries included)

07 POWER MANAGEMENT

Power supply unit

internal

Power supply

AC 100 - 240V, 50/60Hz

Power usage

116W typical, 0.5W stand by, 0.5W off mode

08 SUSTAINABILITY

Regulations

CB, CE, TÜV-Bauart, EAC, RoHS support, ErP, WEEE, REACH

Energy efficiency class (Regulation (EU) 2017/1369)

G

09 DIMENSIONS / WEIGHT

Product dimensions W x H x D

973 x 561 x 63.5mm

Box dimensions W x H x D

1070 x 680 x 141mm

Weight (without box)

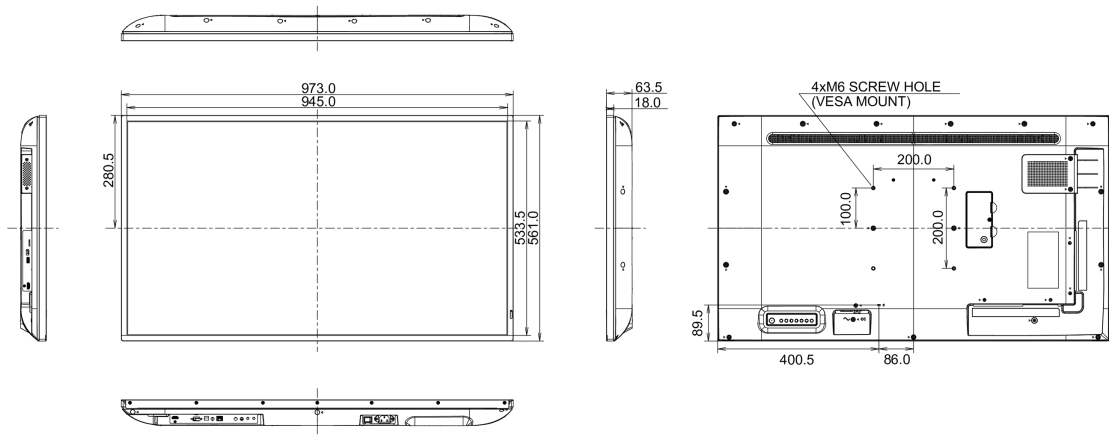
10.7kg

Weight (with box)

13.85kg

EAN code

4948570117437



All trademarks and registered trademarks acknowledged. E & O E. Specification subject to change without notice. All LCD's comply with ISO-9241-307:2008 in connection with pixel defects.

© IYAMA CORPORATION. ALL RIGHTS RESERVED