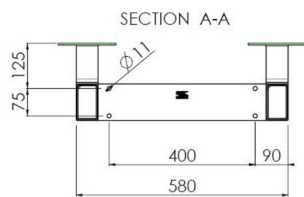
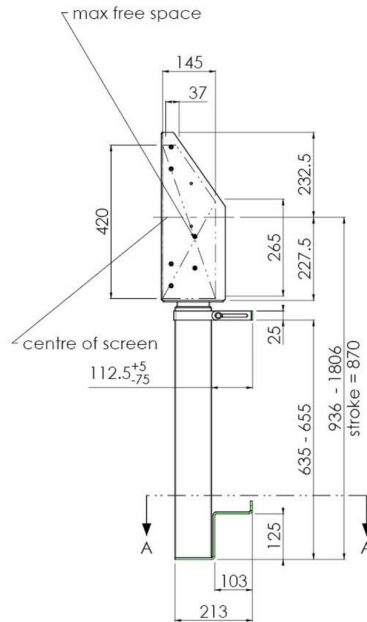
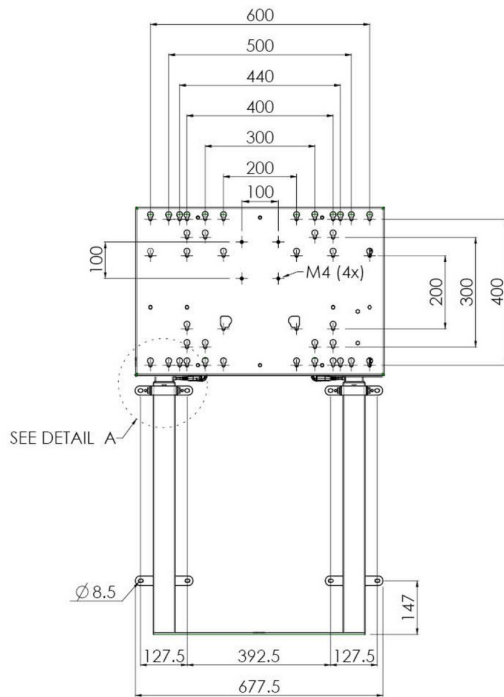
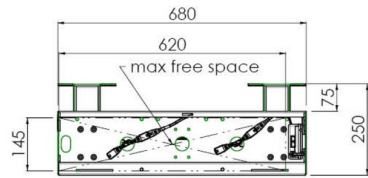


Floor supported wall lift for large format (Touch) displays from 65" up to 86"

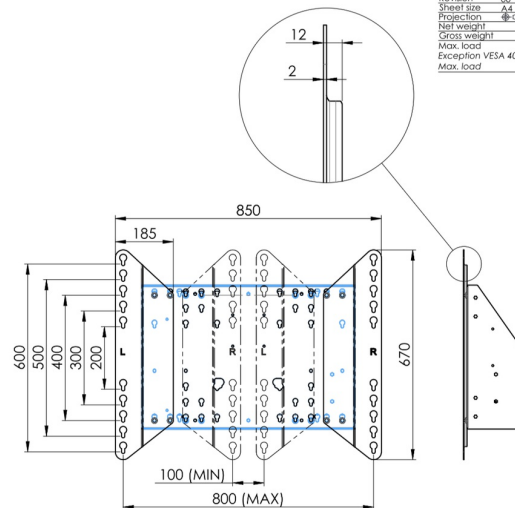
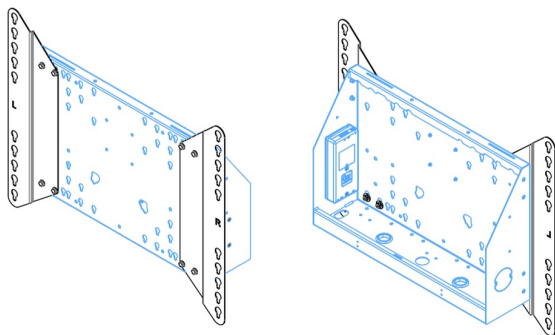
Thanks to its double columns, this improved floor lift offers extra stability and robustness for working with touch displays from 65" up to 86 inch, 120kg. The display can easily be adjusted in height with the remote control and the electrical height adjustment is very silent. At the back side of the mounting utility there is space reserved to place a mini PC or thin client.

01 TECHNIKAI PARAMÉTEREK

Típus	Wall lift
Képernyők száma	1
Képernyő mérete	65" - 86"
Magasság beállítása	870mm, 936 - 1806mm
Maximális teherbírás	120kg / monitor
VESA maximum	800 x 600mm
Extra	electrical speed up to 38mm/s



Dimensions	mm (inch)
Revision	00
Sheet size	A4
Projection	1E-5
Net weight	3.46 kg
Gross weight	4.34 kg
Max. load	200.00 kg
Exception VESA 400x500/500	
Max. load	140.00 kg



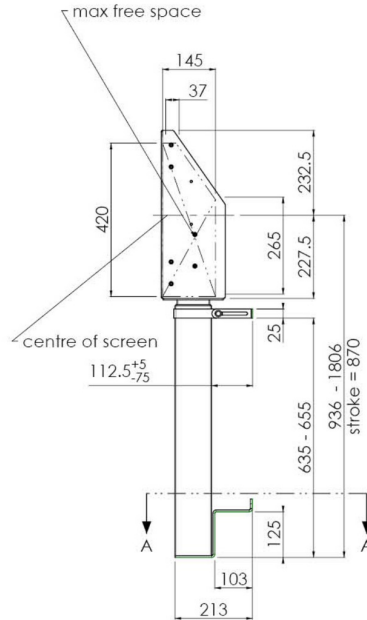
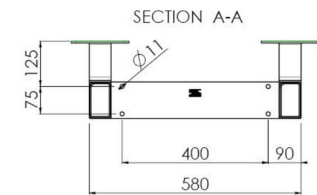
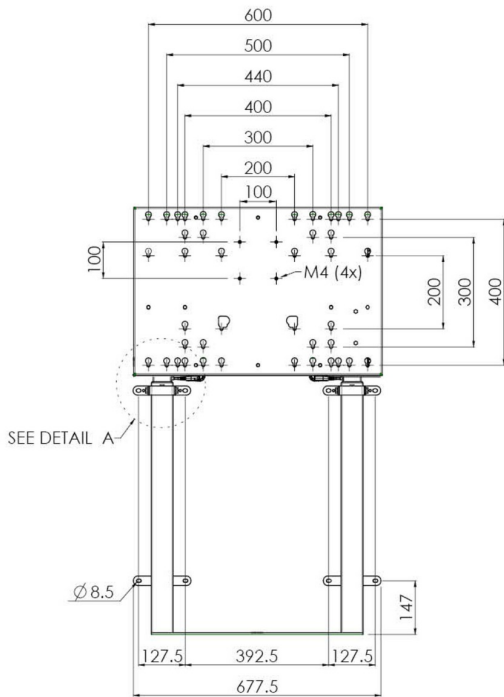
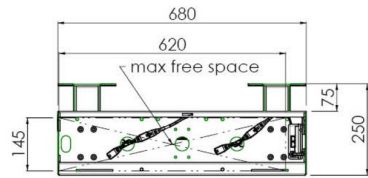
02 MÉRETEK / SÚLY

Súly (doboz nélkül)

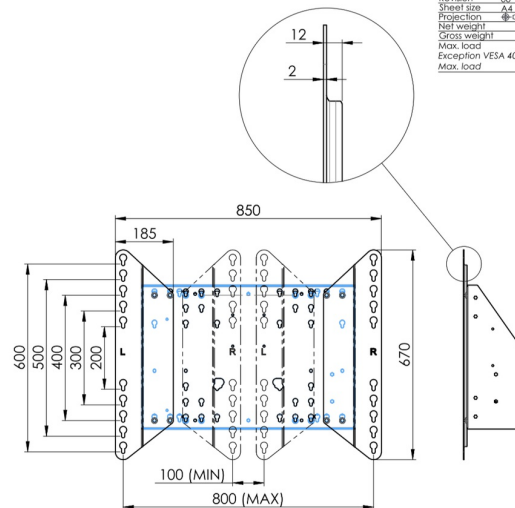
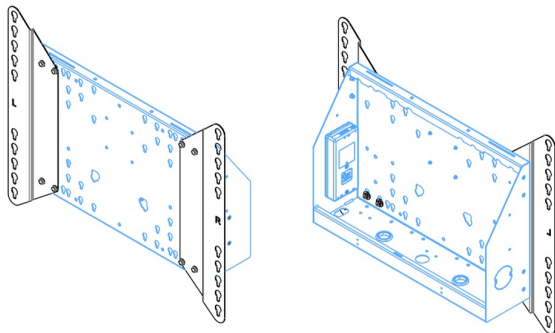
36kg

EAN kód

4948570032617



Dimensions	mm (inch)
Revision	00
Sheet size	A4
Projection	4E-C1
Net weight	3.46 kg
Gross weight	4.34 kg
Max. load	200.00 kg
Exception VESA	400x600/500
Max. load	140.00 kg



All trademarks and registered trademarks acknowledged. E & O E. Specification subject to change without notice. All LCD's comply with ISO-9241-307:2008 in connection with pixel defects.